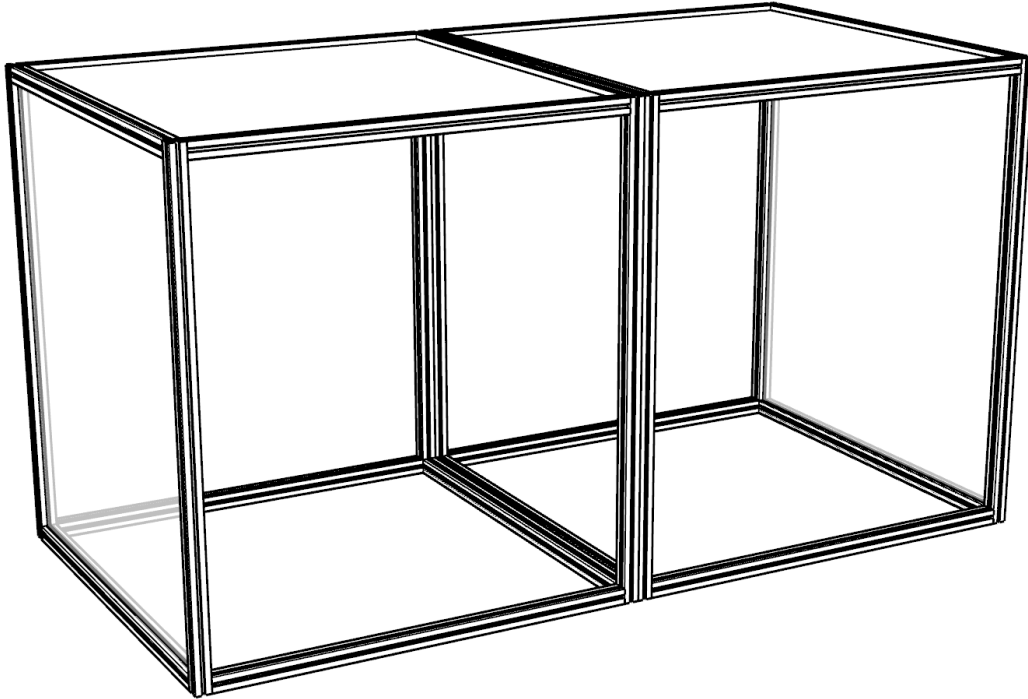
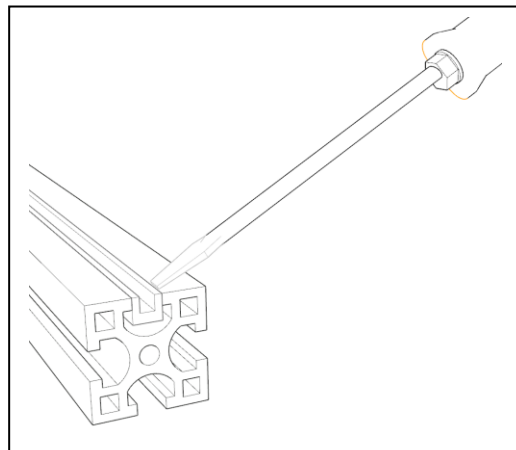
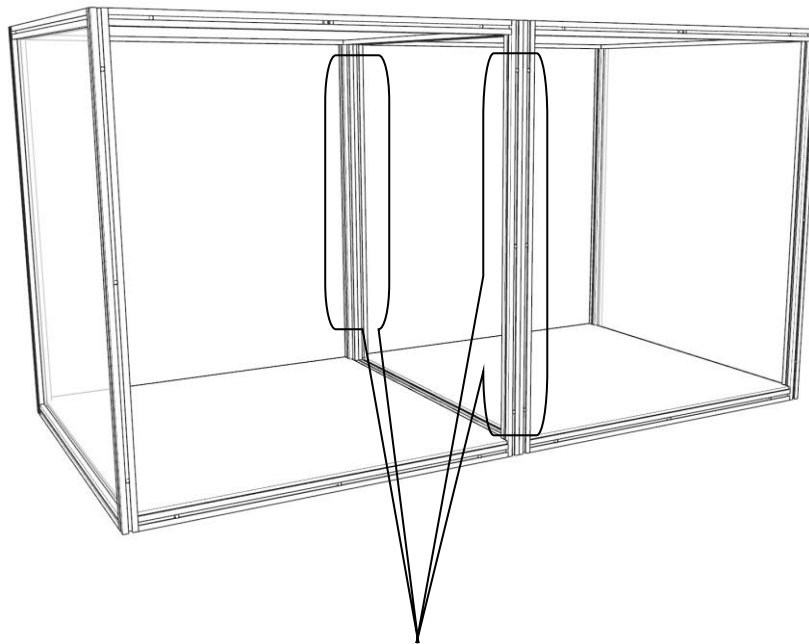


Horizontal joint instructions for DF version display



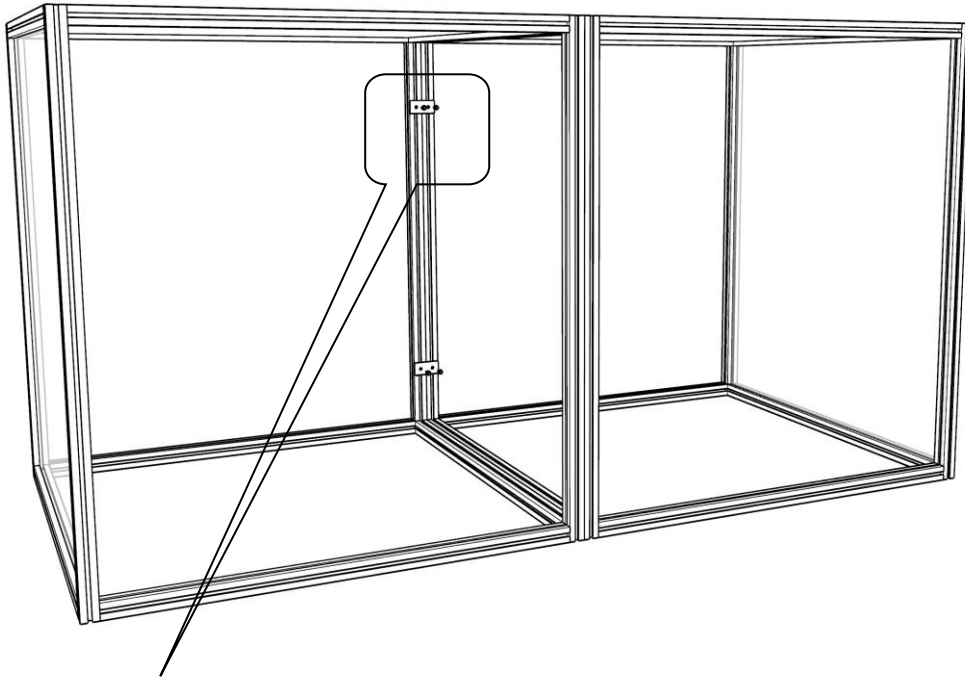
1. Remove plastic side panel holder



***Note: Remove plastic holder with a flat head screw driver.**

Keep the holder for future if you will want to insert a side panel

2. Use horizontal bracket to secure adjoining units.



		<p>Join adjoining units with horizontal bracket (Black hex screws)</p> <ul style="list-style-type: none">• Secure with horizontal joining bracket• Secure 2 brackets at the back frame• Secure 1 bracket at the inner side of front frame
--	--	---

***Note: Do not insert the side panels for the displays where the joints will be done**