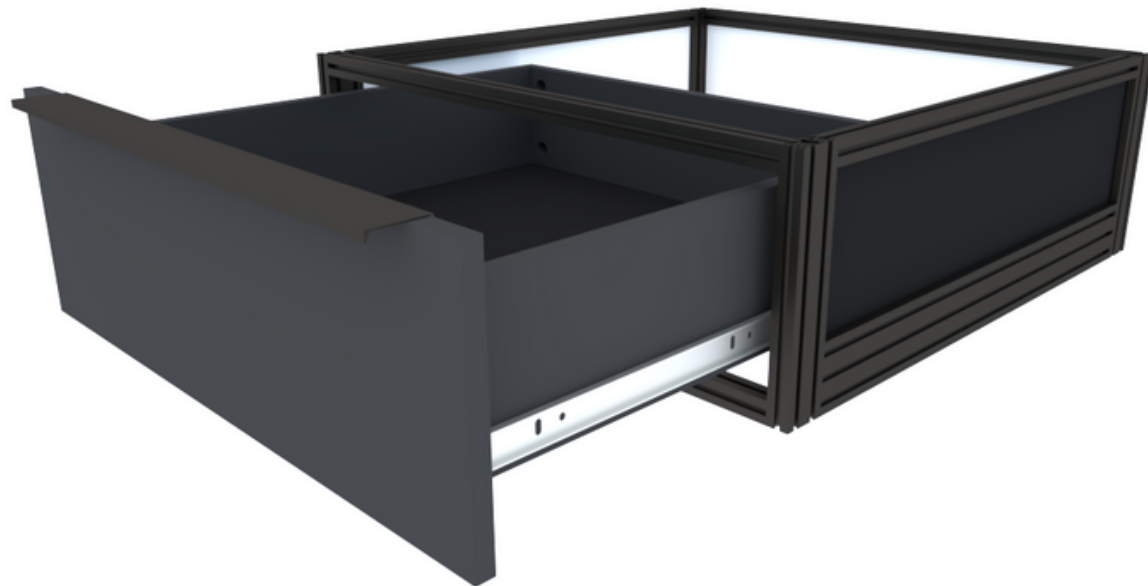


Assembly Instruction

DF and MAX

Series Display Risers With Drawers





Parts List

Number will be used to indicate which pack to use on the assembly steps

1. Front and back frame top bottom bar - 1 pack (4 bars)
2. Front and back side bar - 1 pack (4 bars)
3. Side frame top bottom bar - 1 pack (4 bars)
4. Side frame bottom double bar - 1 piece (2 bars)
5. Side panel - 2 pieces
6. Back panel - 1 piece
7. Drawers back panel - 1 piece
8. Drawers front panel - 1 piece
9. Drawers sides panel - 2 pieces
10. Drawers rail - 1 sets (2 rails)
11. Drawers Base - 1 piece
12. Drawers handle - 1 piece
13. Black accessories - 1 pack



**MODU
SPACE**

Tools and parts in the Black accessories bag



M5 Long bolts



Washer



M5 Sliding nut



M5 Short bolts



Stacking brackets with screws



Wood screw



Drawer screw



M4 L Allen key



M5 T Allen key



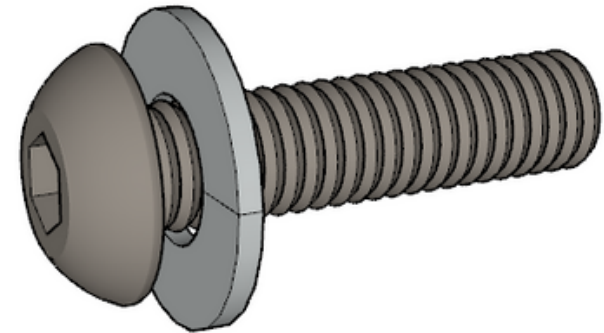
Plastic foot pads



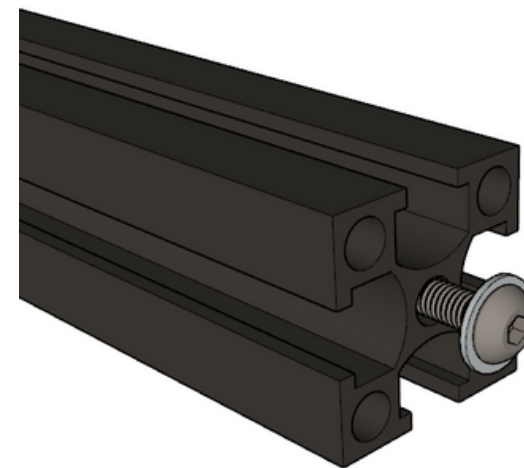
Microfiber cloth

How to connect and secure the bars

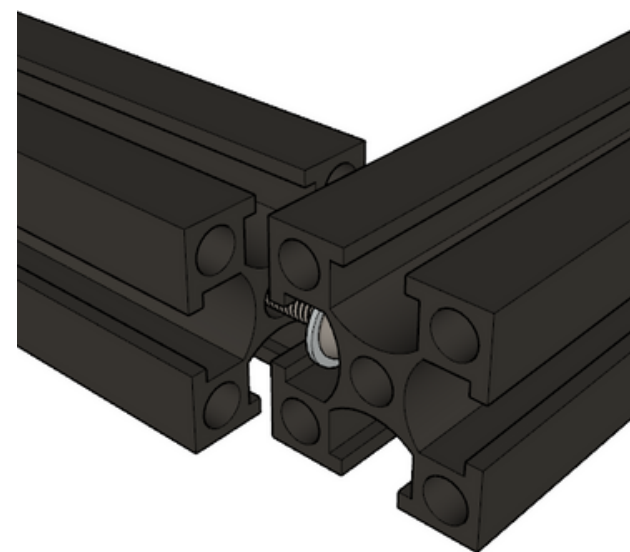
1. Slot the washer into the M5 long bolts



2. Screw the M5 long bolts with washer into the bars



3. Slot the bar with the bolts into the adjoining bar slot and secure with the T allen key provided

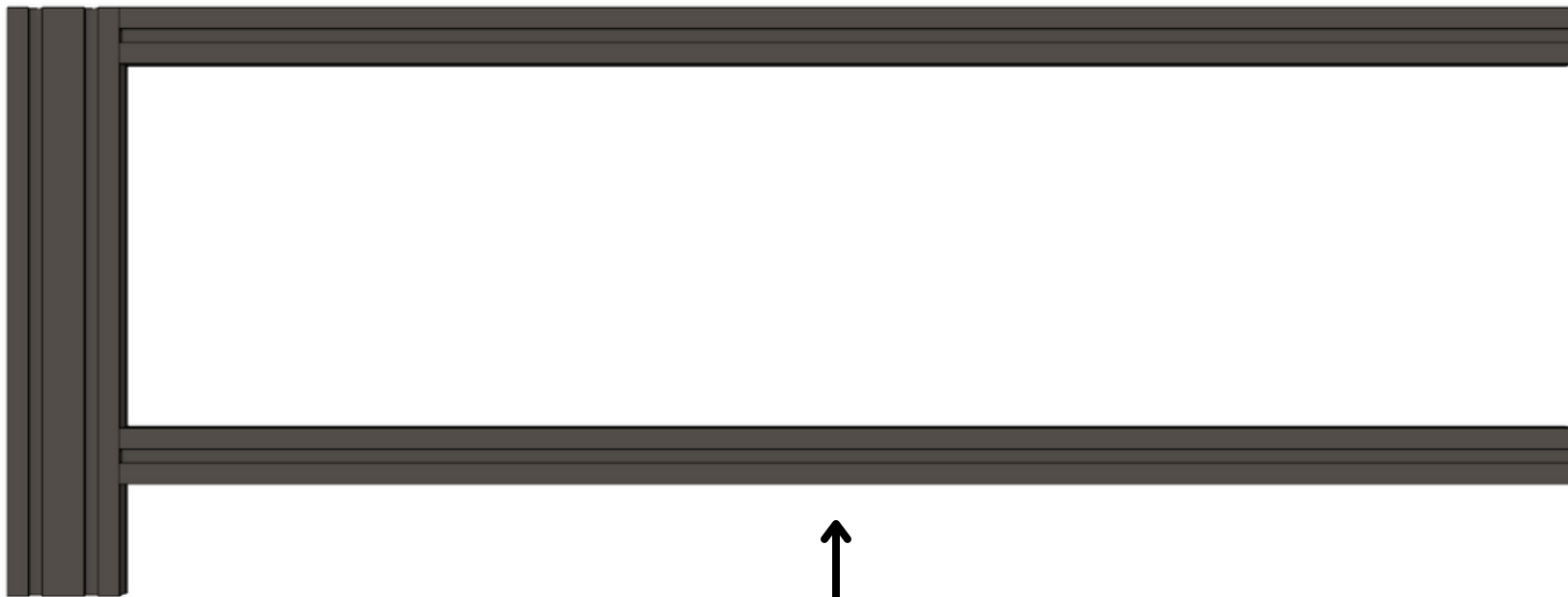
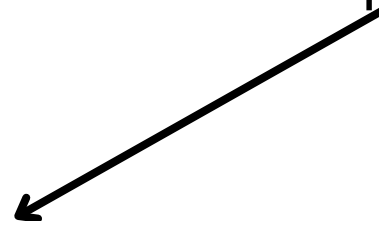


1. Assembly the side frame

Front back Side bar



Side frame top / bottom bar



Side frame top / bottom bar

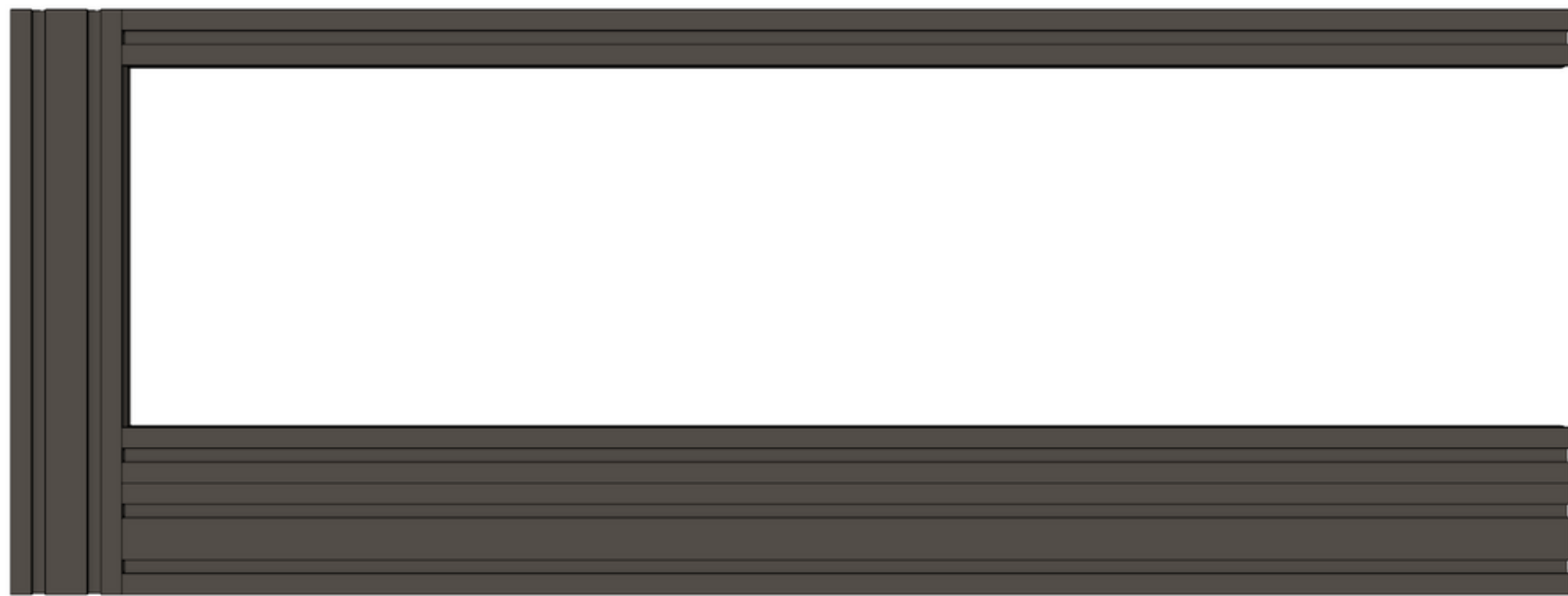


Pack no 4



**MODU
SPACE**

2. Assembly the side frame



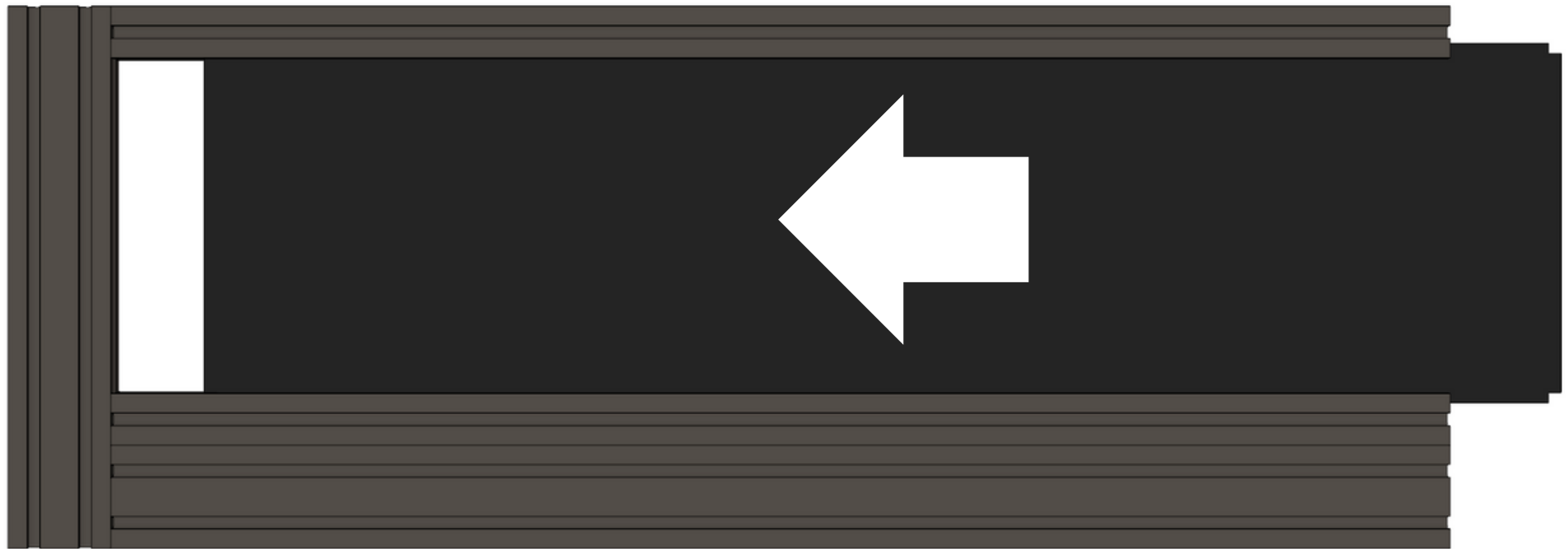
Side frame bottom double bar

Pack no 2,3 and 4



**MODU
SPACE**

3. Assembly the side frame



Pack no 5

4. Assembly the side frame



Pack no 2



**MODU
SPACE**

5. Assembly the side frame



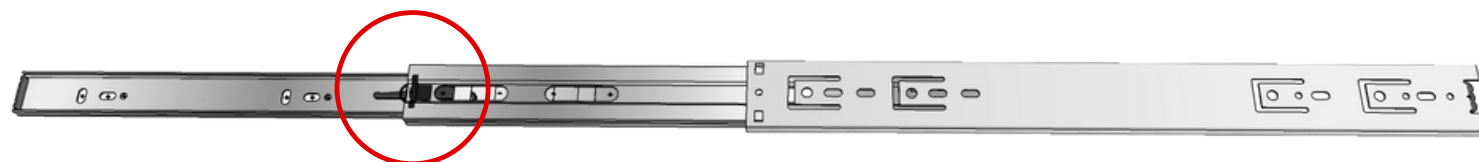
Pack no 2,3,4 and 5

6. Remove the inner rail from main rail

Fully extend the rail



Hold the catch down



Slide out the inner rail



Pack no 5
Video ([hyperlink](#))

7. Install main rail onto side frame

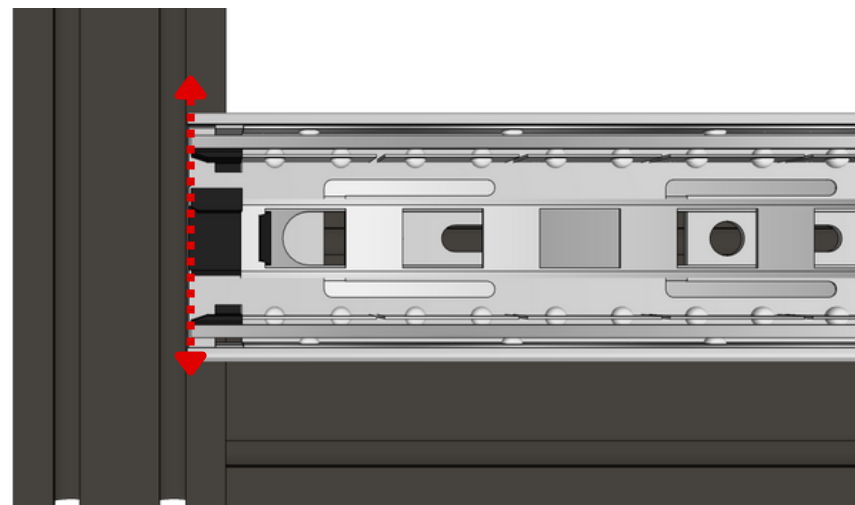
Use the main rail as a guide to position the m5 Sliding nuts



Flip over the main rail and slide out the rail to locate the 3 nuts. semi-secure the rail with the m5 short bolt



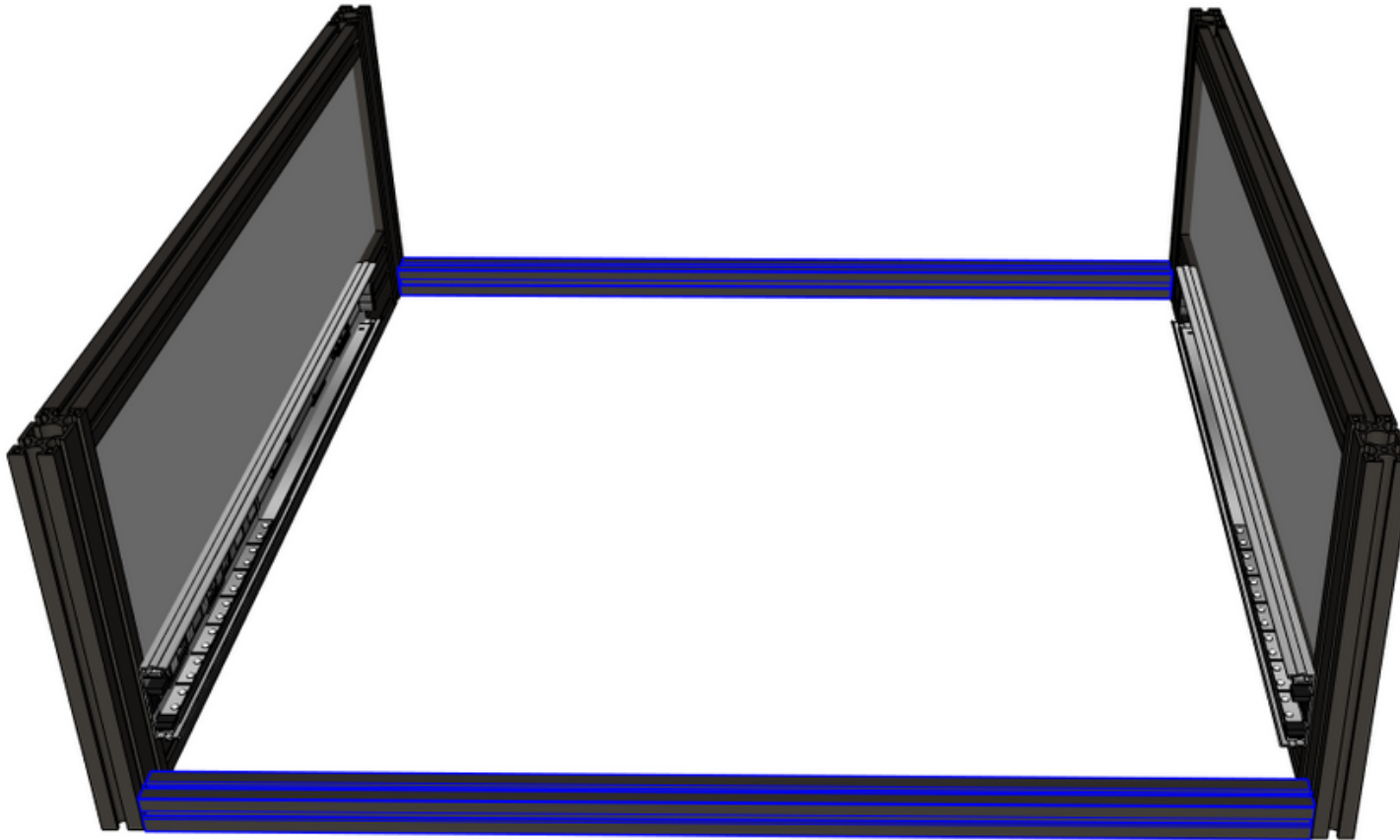
Align the main rail with the height bar



Pack no 2 and 5



8.Assembly front back bottom bar



Assembly Front view

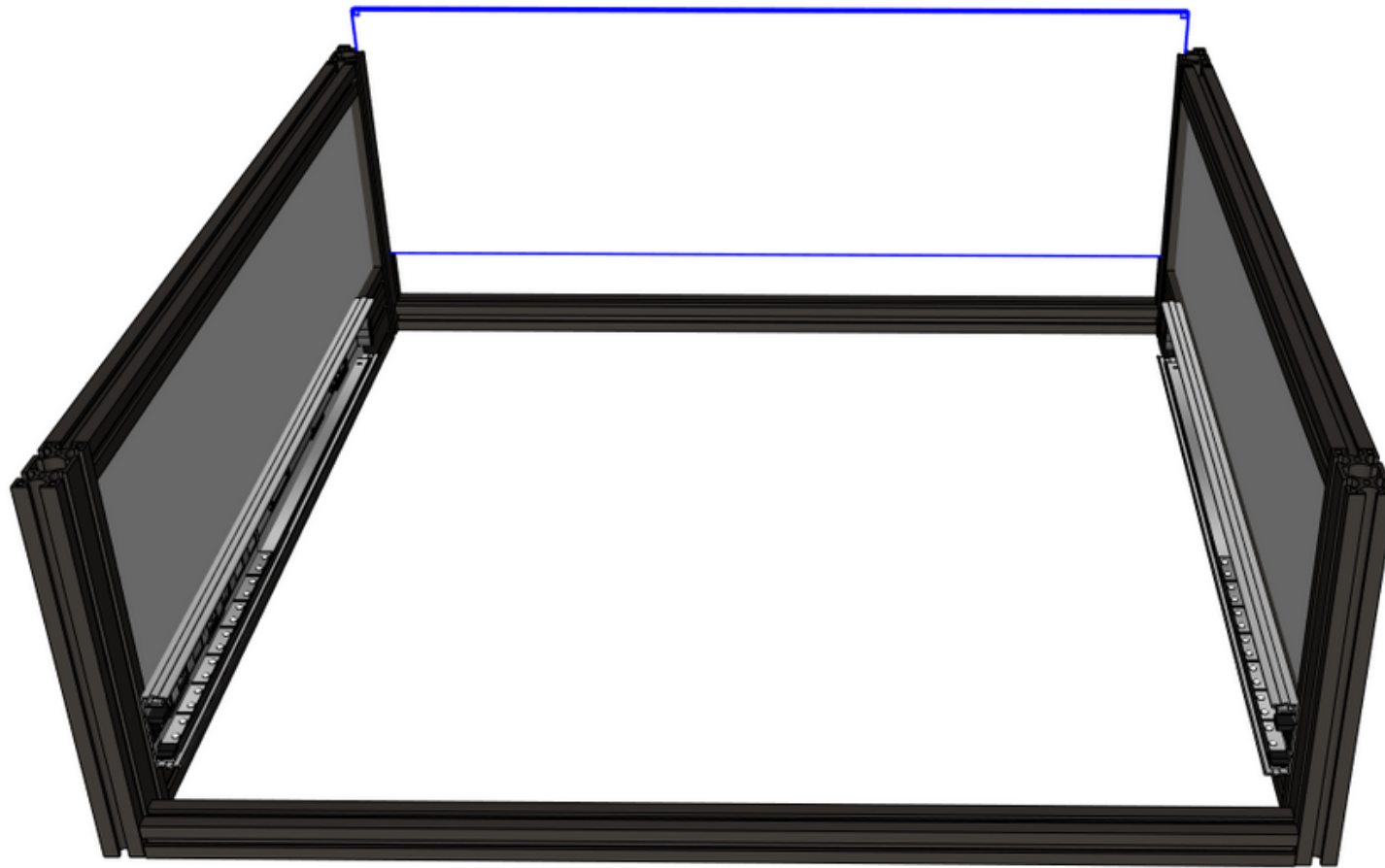
Pack no 1

Note that you will only use 2 out of 4 bars



**MODU
SPACE**

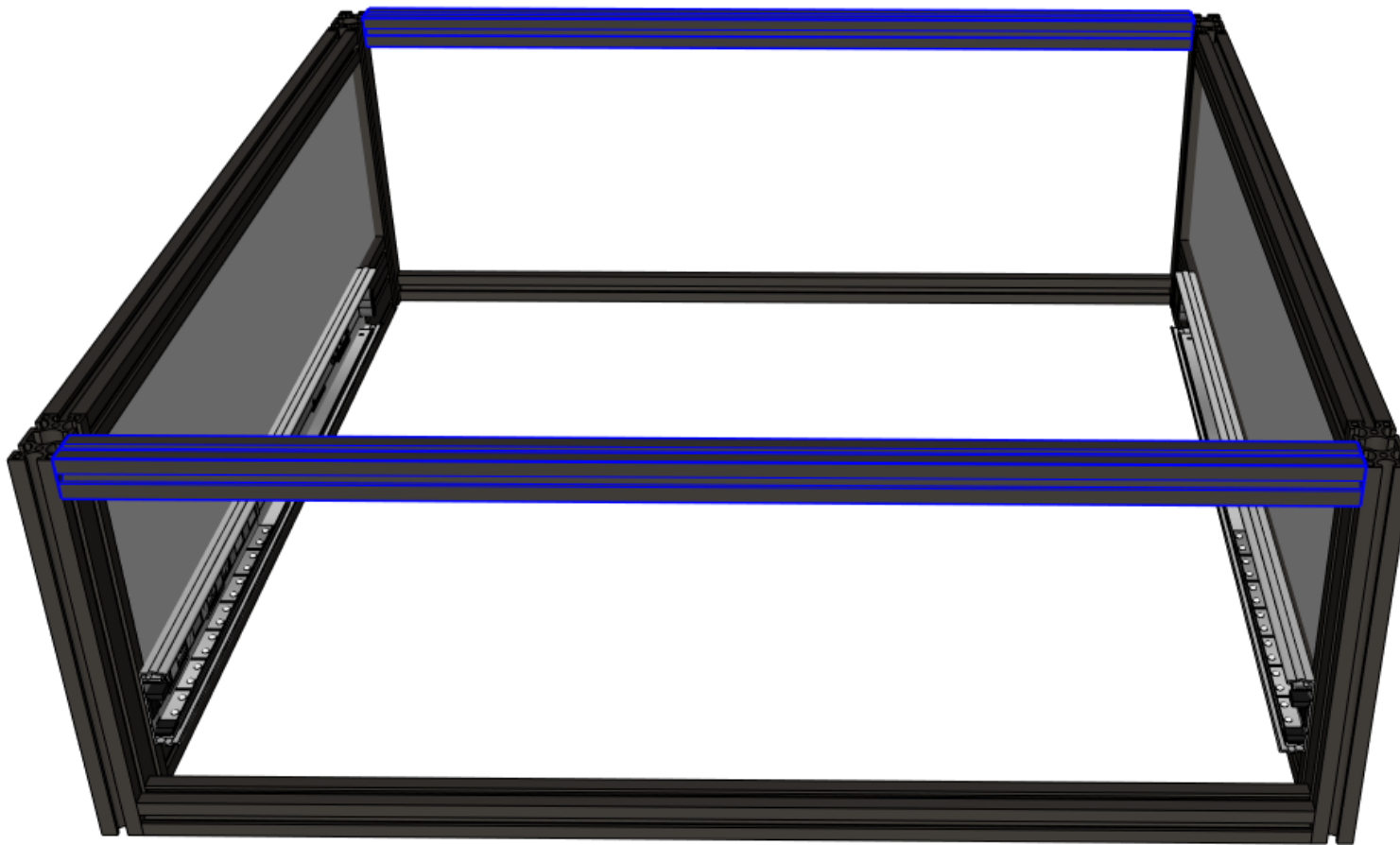
9. Assembly back panel



Assembly Front view

Pack no 3
Slide the back panel in

10. Assembly front back top bar



Assembly Front view

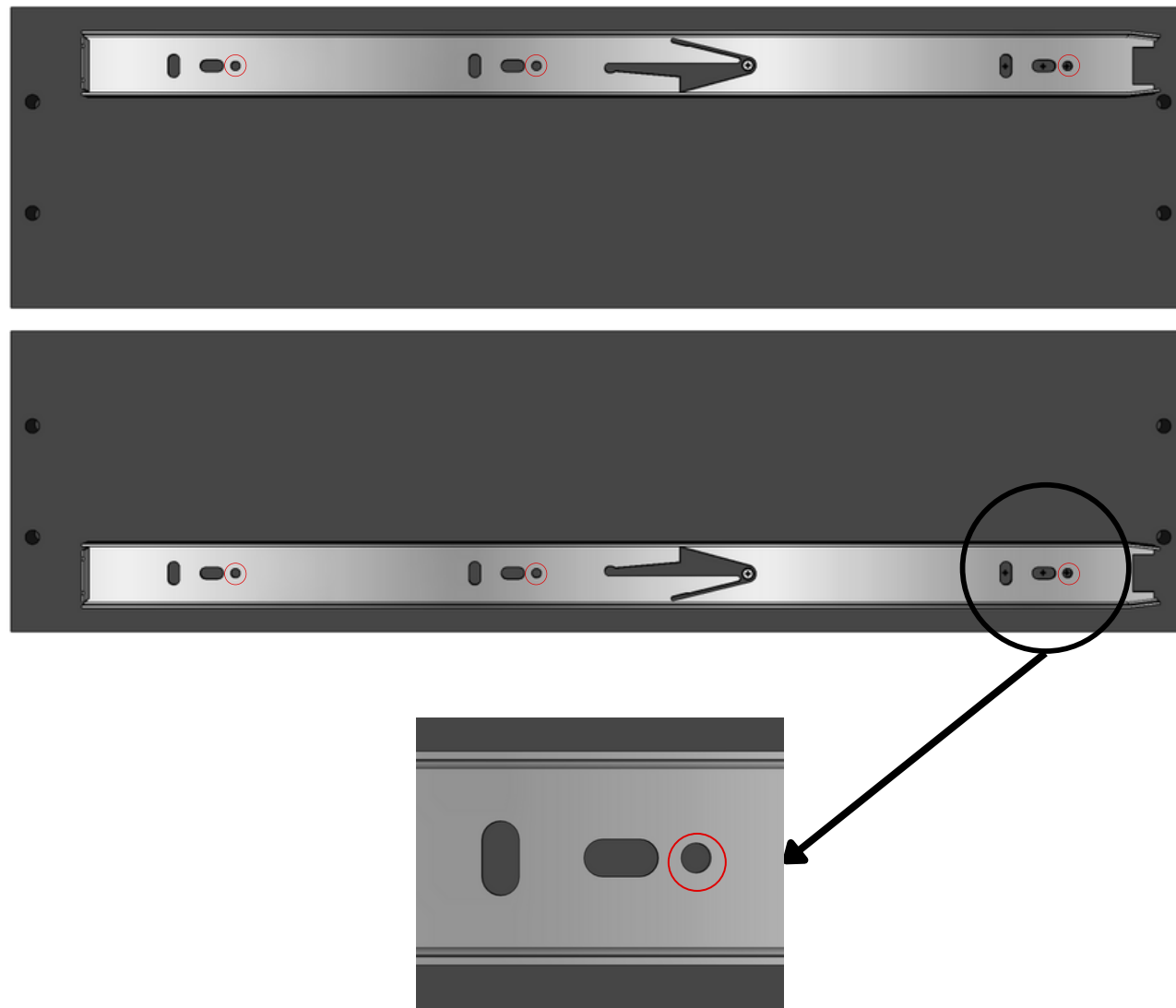
Pack no 1

Secure the front back top bar



**MODU
SPACE**

11. Assembly the inner rail to the side panel of the inner drawers



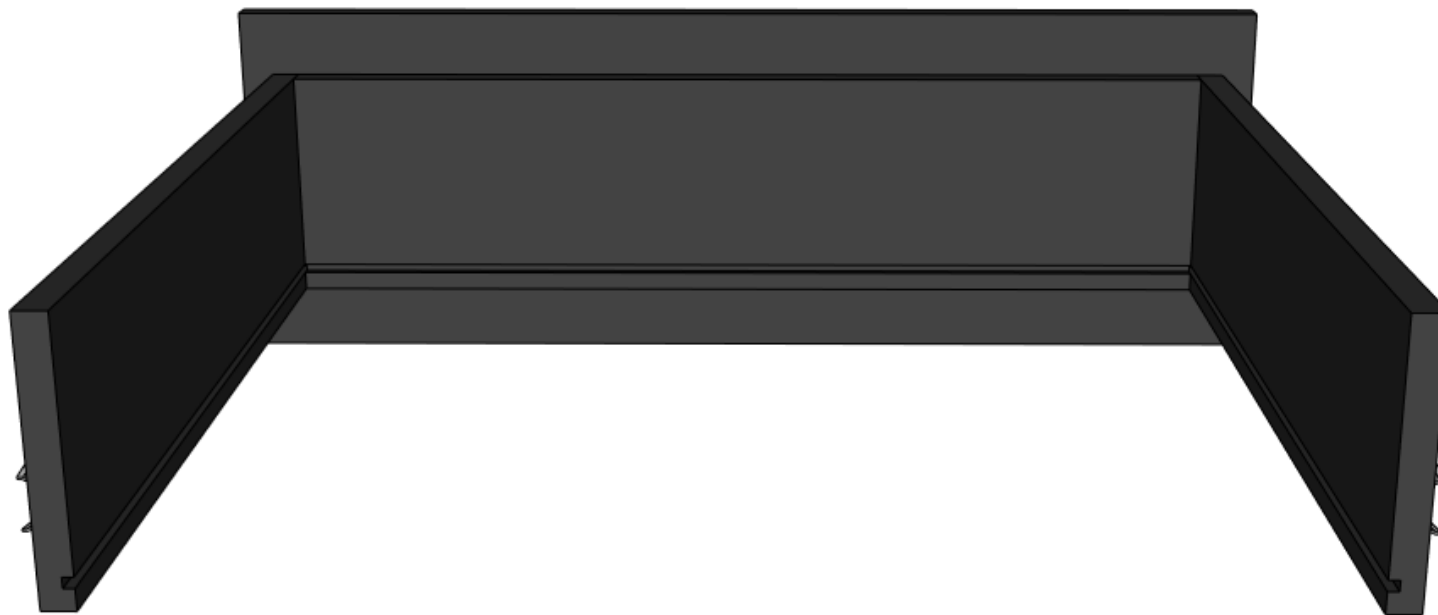
Pack no 6 and 7

Align the inner rail circle hole with the pre drilled hole



12. Assembly the inner drawers (front and sides)

Assembly Front view



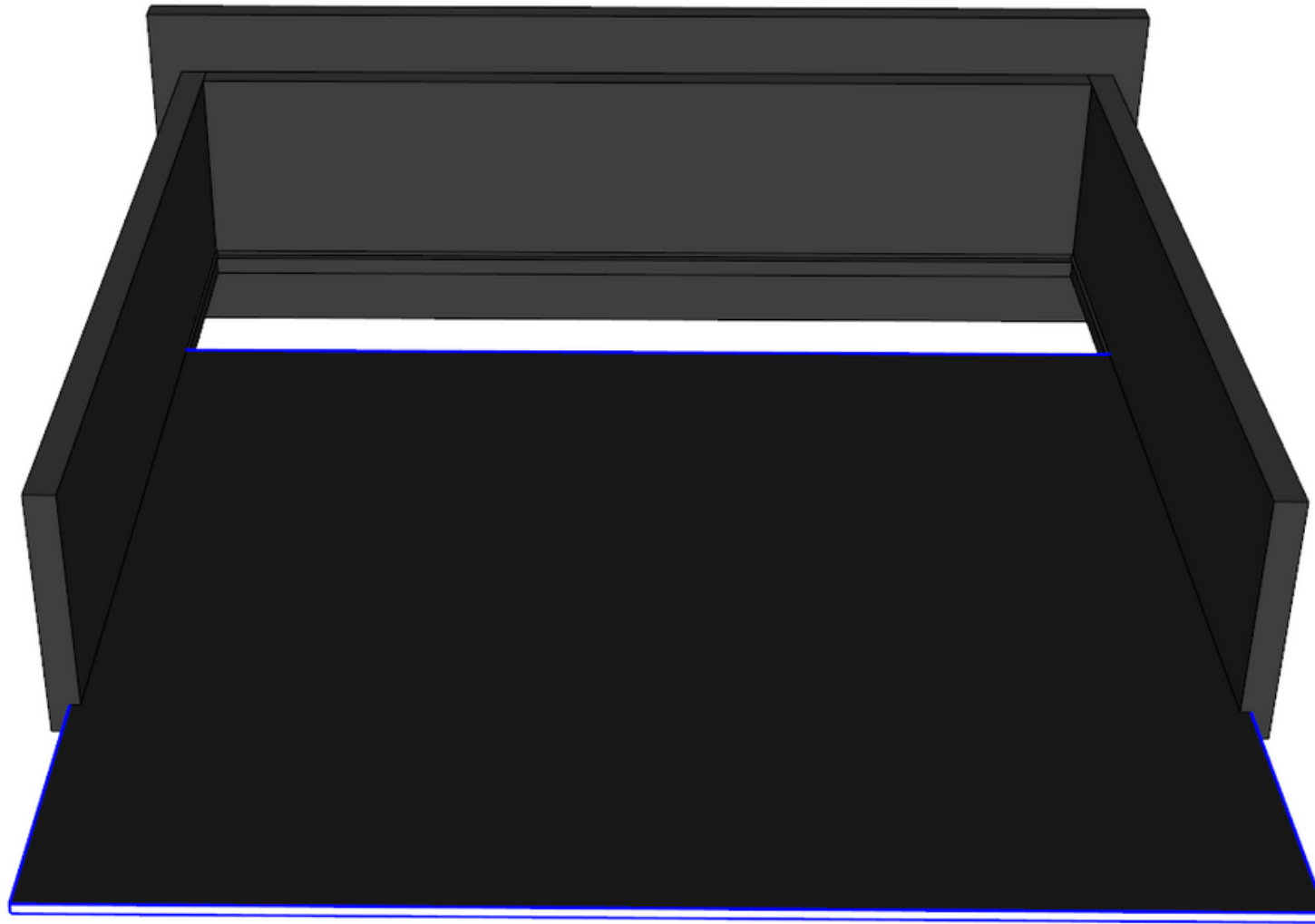
Pack no 5 and 6

Secure the drawers side panels to the front panel



13. Assembly the inner drawers (base)

Assembly Front view



Pack no 8

Slide in the drawers back panel

14. Assembly the inner drawers (back)

Assembly Front view

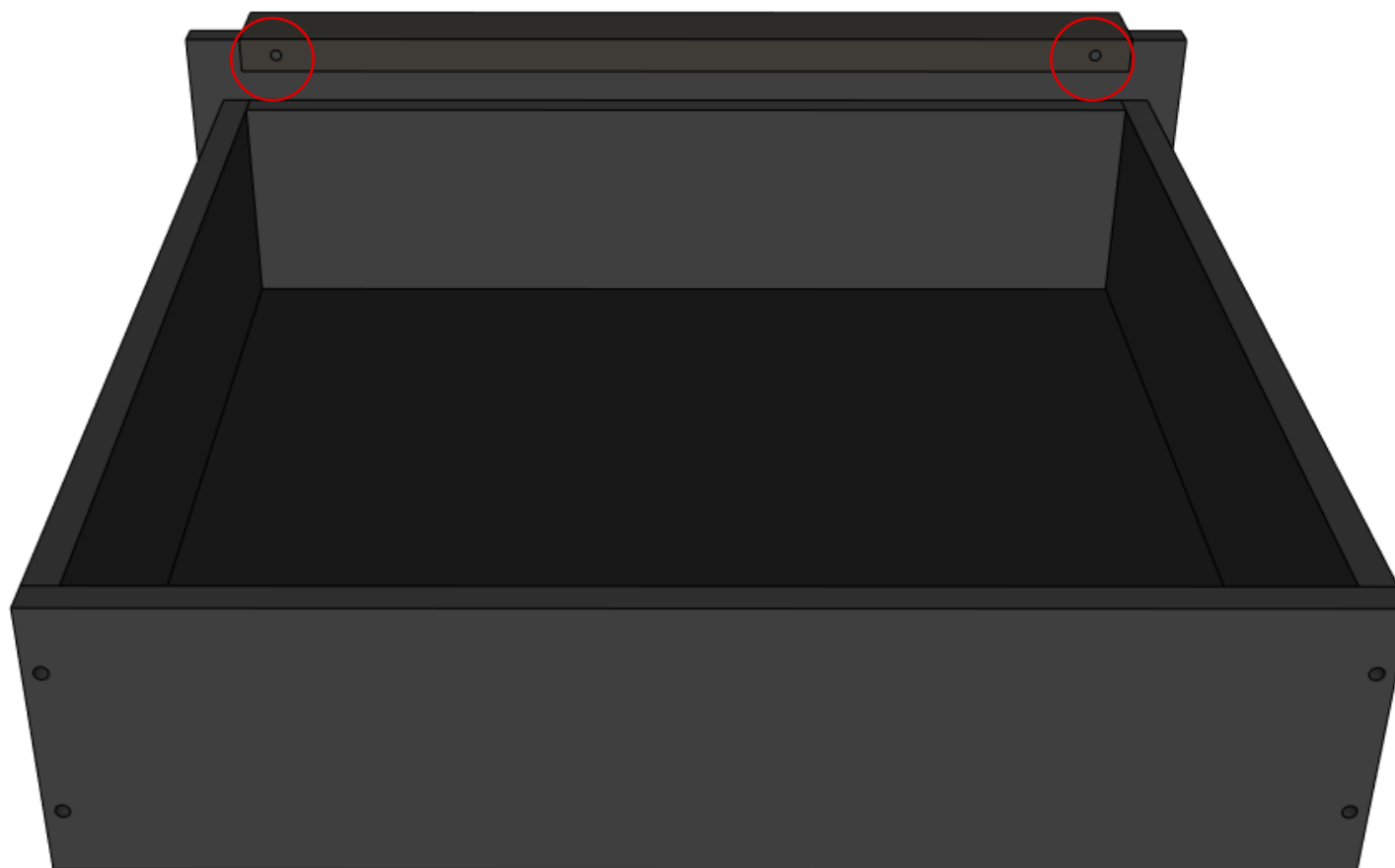


Pack no 4
Secure the drawers back panel



15. Assembly the inner drawers (handle)

Assembly Front view



Pack no 4

Secure the handle the drawers front panel



16. Assembly the drawers into the the frame



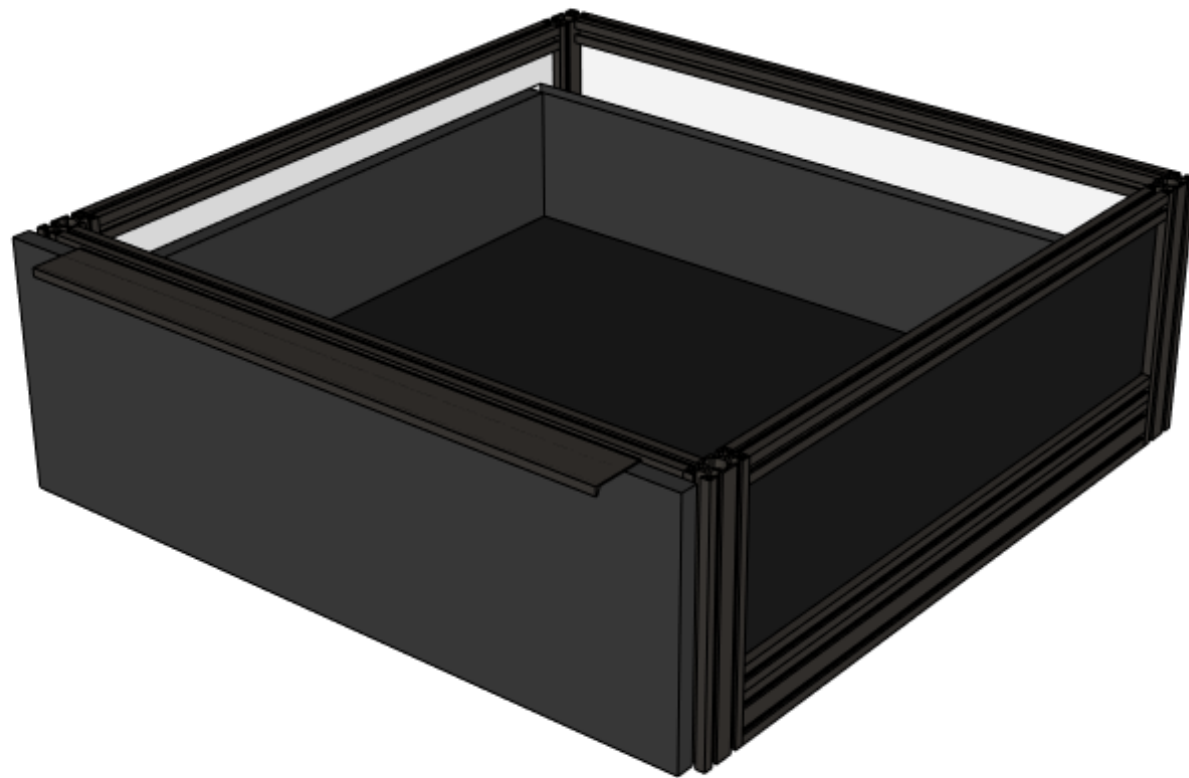
Fully extend the main rail

17. Assembly the drawers into the the frame



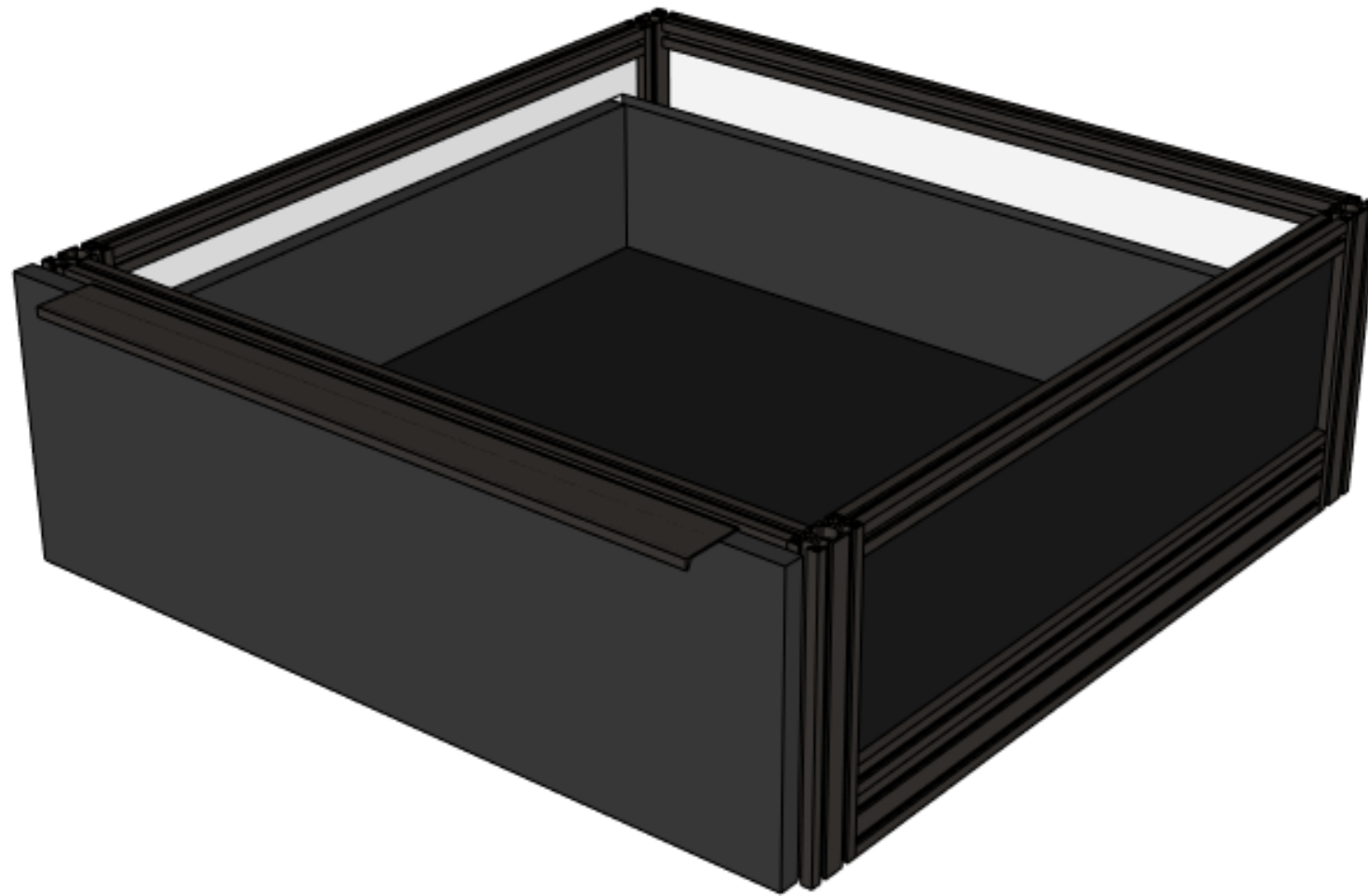
Align the inner drawers rail with the main rail and slide in

18. Check if the drawers is install properly



Push the drawer full into the end and pull drawers out once again to check if its inserted properly

Assembly is completed



**MODU
SPACE**