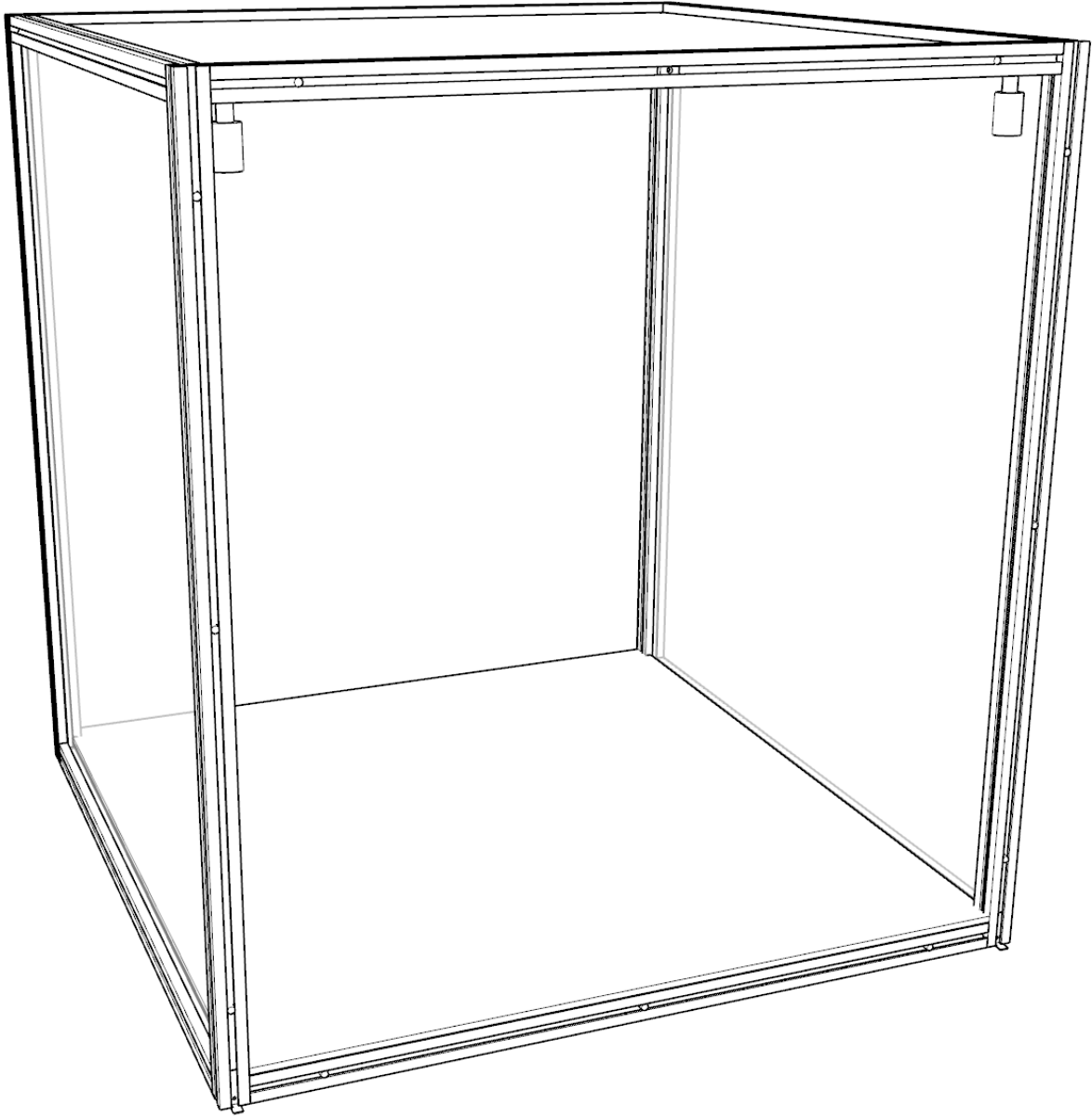
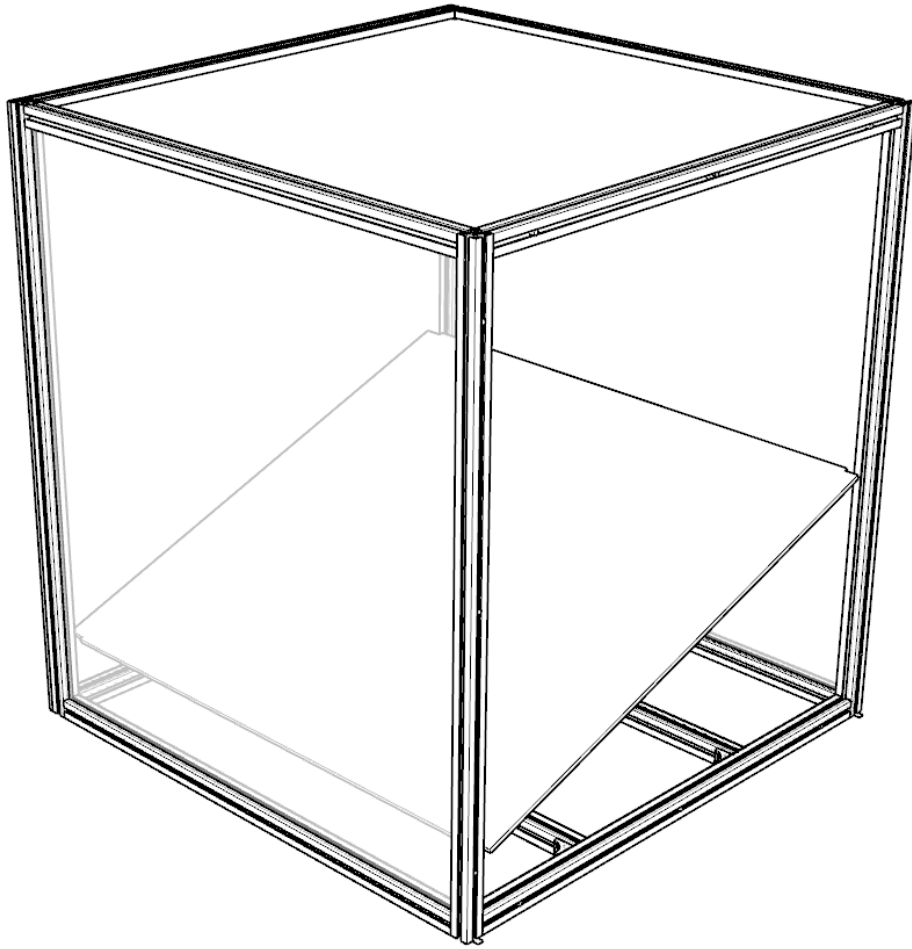


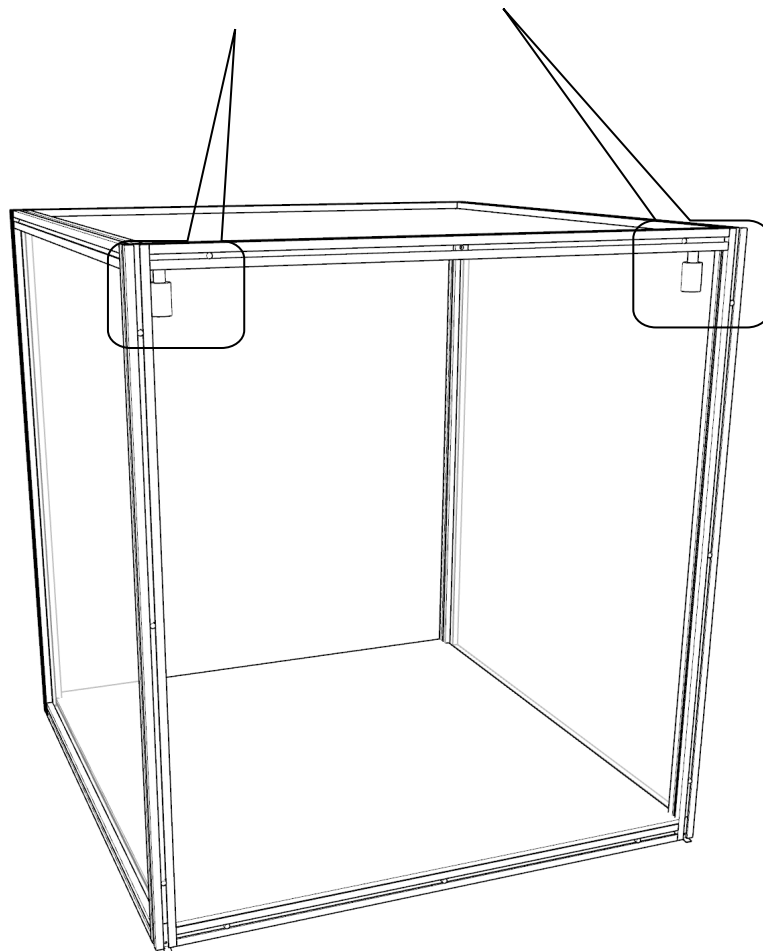
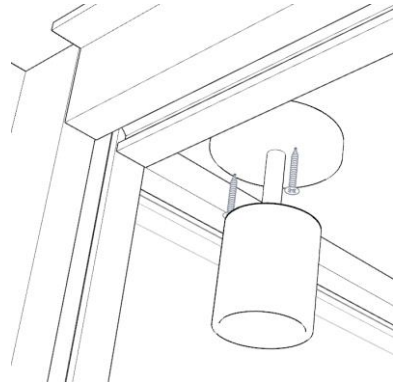
LED spotlight



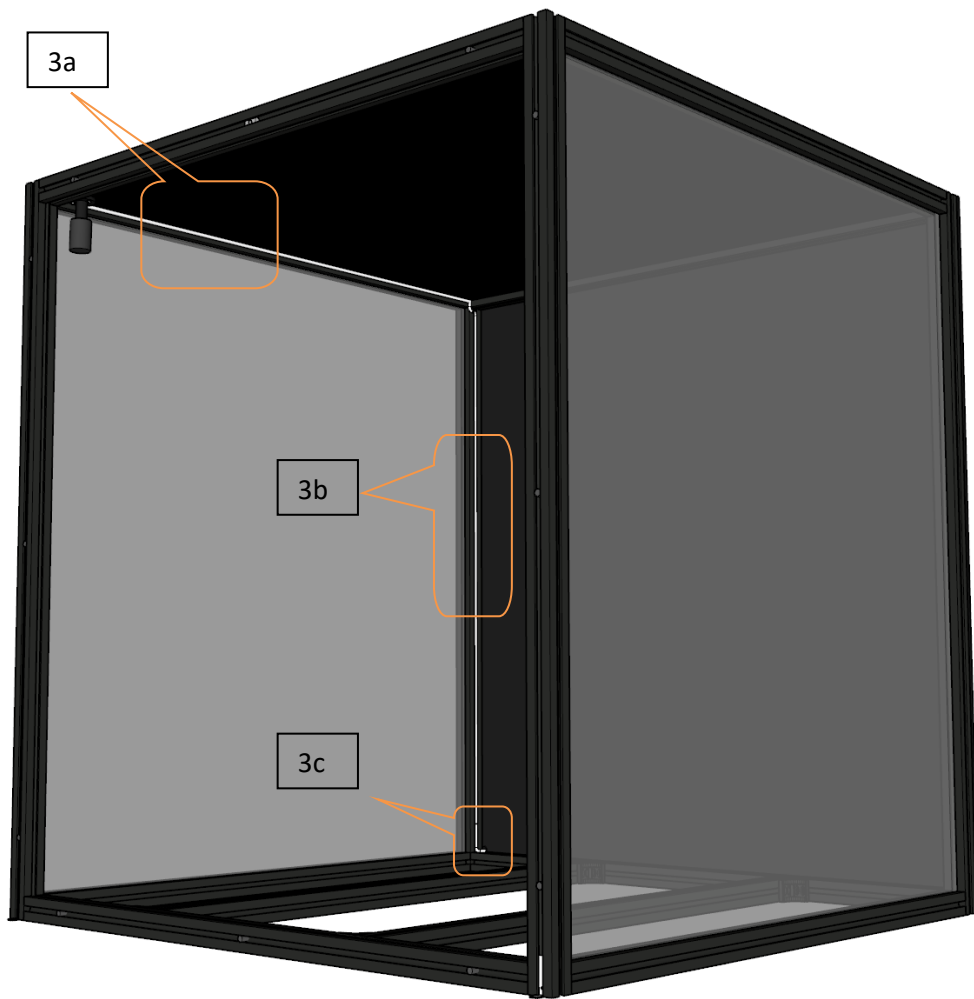
1. Remove base



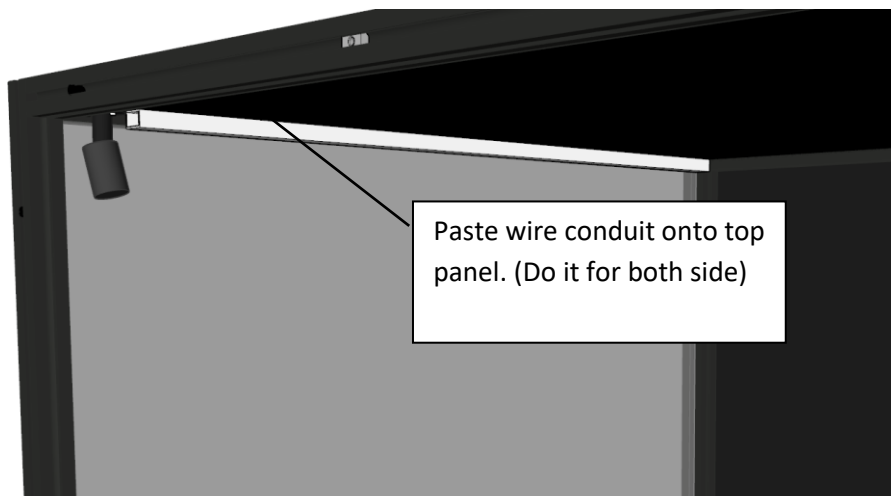
2. Secure the LED spotlight with the provided self-tapping screws(sharp ended screw)



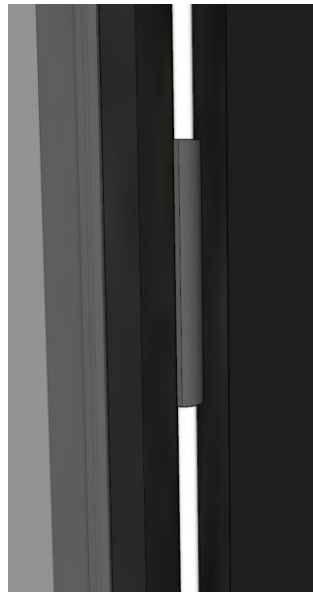
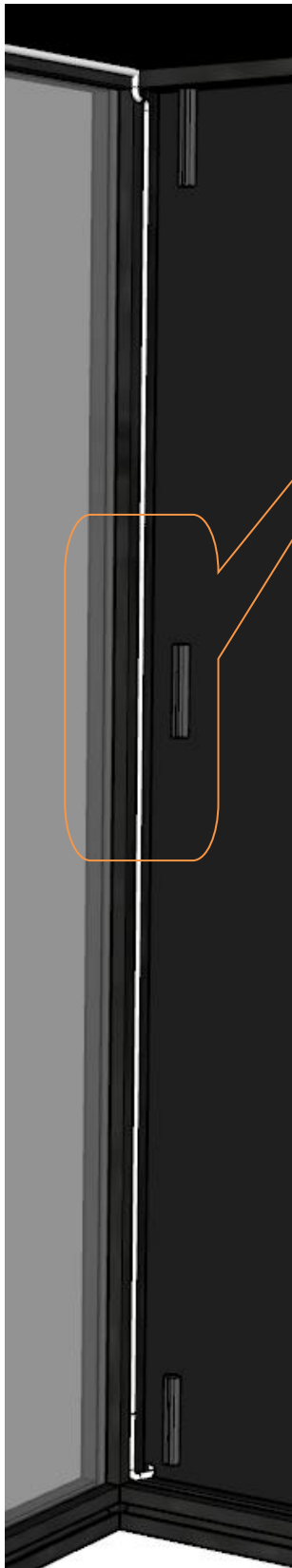
3. Hiding of wires for corner spotlights



3a (If your model is MAX series, no conduit will be needed. Use wire clip to hold wires in the slot of the frame)



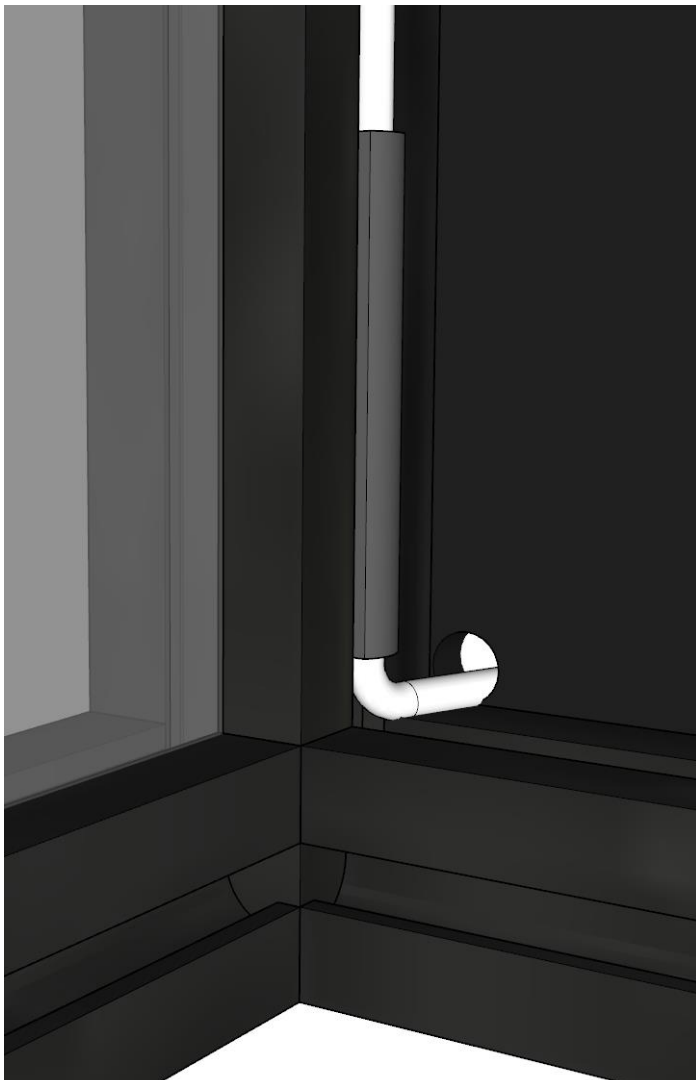
3b – Insert wires into aluminium slots and place rubber wire holder in



*Note

Wire rubber holders are attached to the back frame

3c – Insert wires into the hole at the bottom left/right of the back panel



4. Repeat the above for the rest of the LED spotlights and insert back the base.

1. Hiding of wires for middle spotlights

