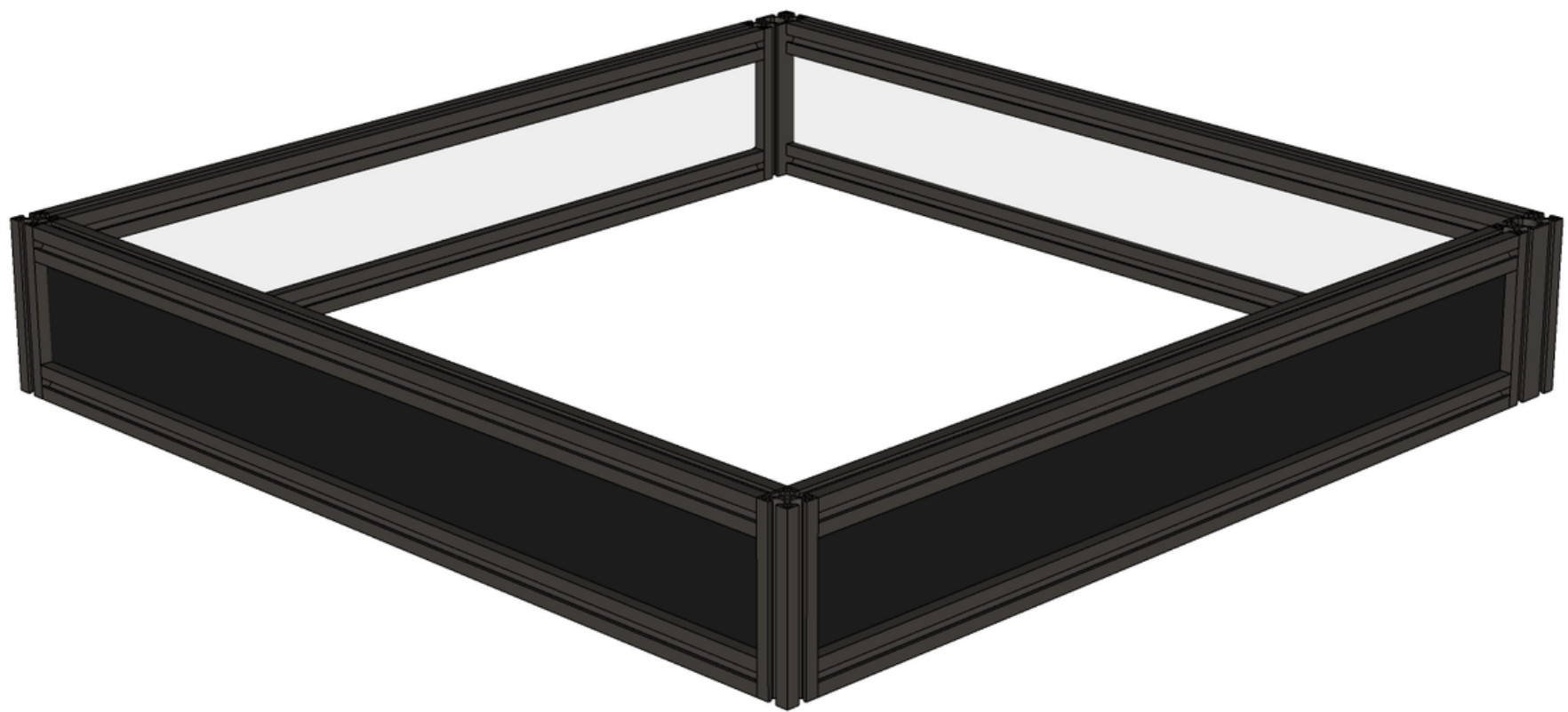


Assembly Instruction

DF60/DF130 Display Risers



**MODU
SPACE**



Parts List

Number will be used to indicate which pack to use on the assembly steps

1. Side frame top bottom bar - 1 pack (4 bars)
2. Front and back frame top bottom bar - 1 pack (4 bars)
3. Side frame back bar - 1 pack (2 bars)
4. Front frame side bar - 1 pack (2 bars)
5. Front and back panel - 2 pieces
6. Side panel - 2 pieces
7. Black accessories bags

Tools and parts in the Black accessories bag



M5 Long bolts



Washer



Stacking brackets with screws



M4 L Allen key



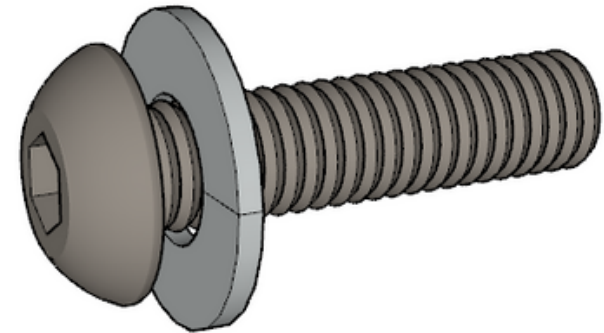
Plastic foot pads



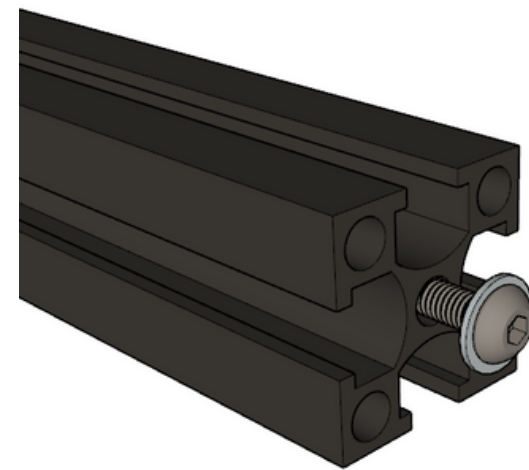
M5 T Allen key

How to connect and secure the bars

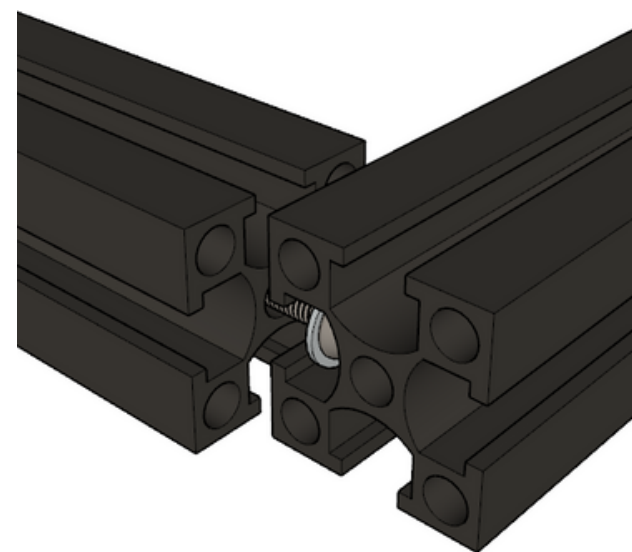
1. Slot the washer into the M5 long bolts



2. Screw the M5 long bolts with washer into the bars



3. Slot the bar with the bolts into the adjoining bar slot and secure with the T allen key provided



1. Assembly the side frame



Pack no 1 and 4



**MODU
SPACE**

2. Assembly the side frame



Pack no 6

3. Assembly the side frame



Pack no 3



**MODU
SPACE**

4. Assembly the side frame

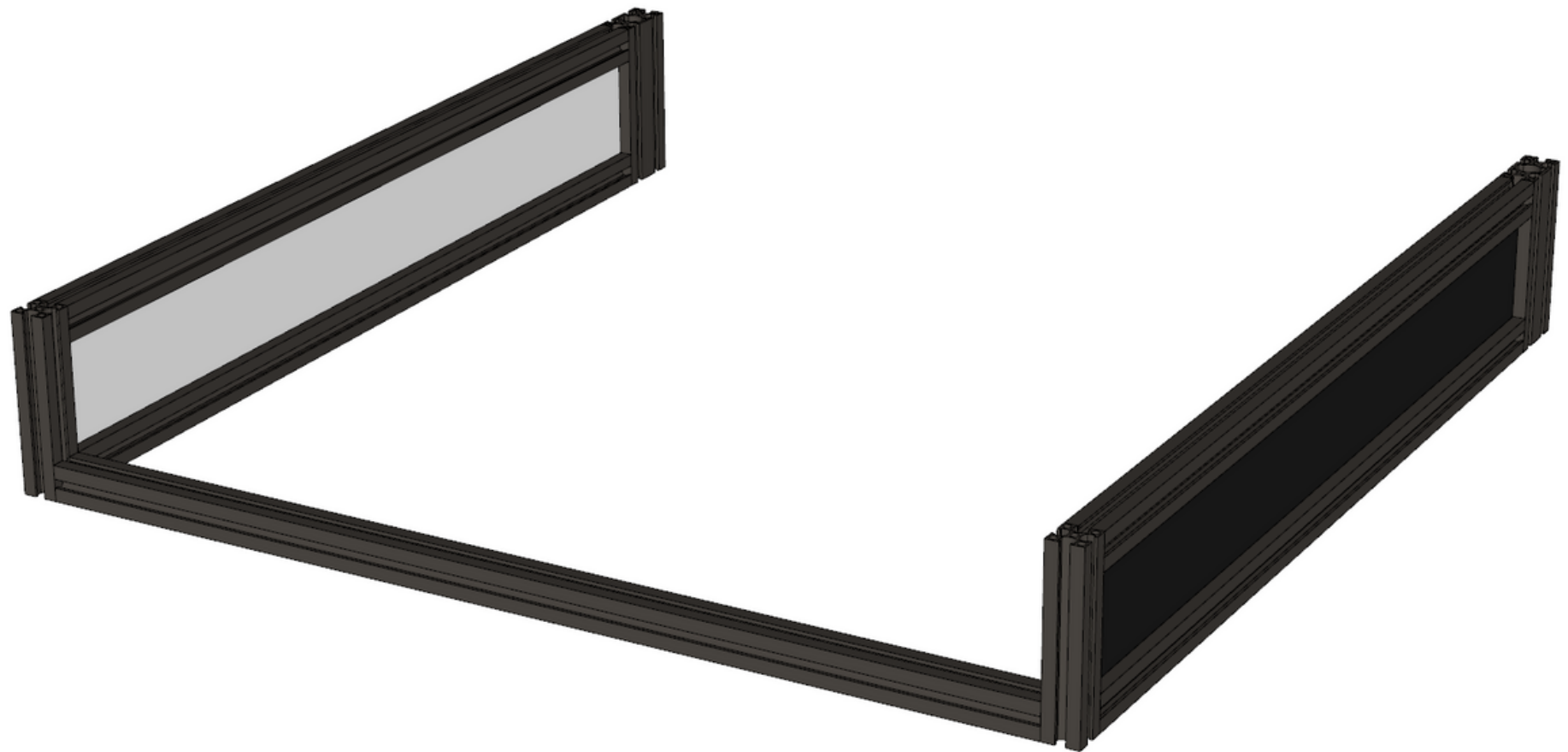


2 sets



**MODU
SPACE**

5. Assembly the Front frame

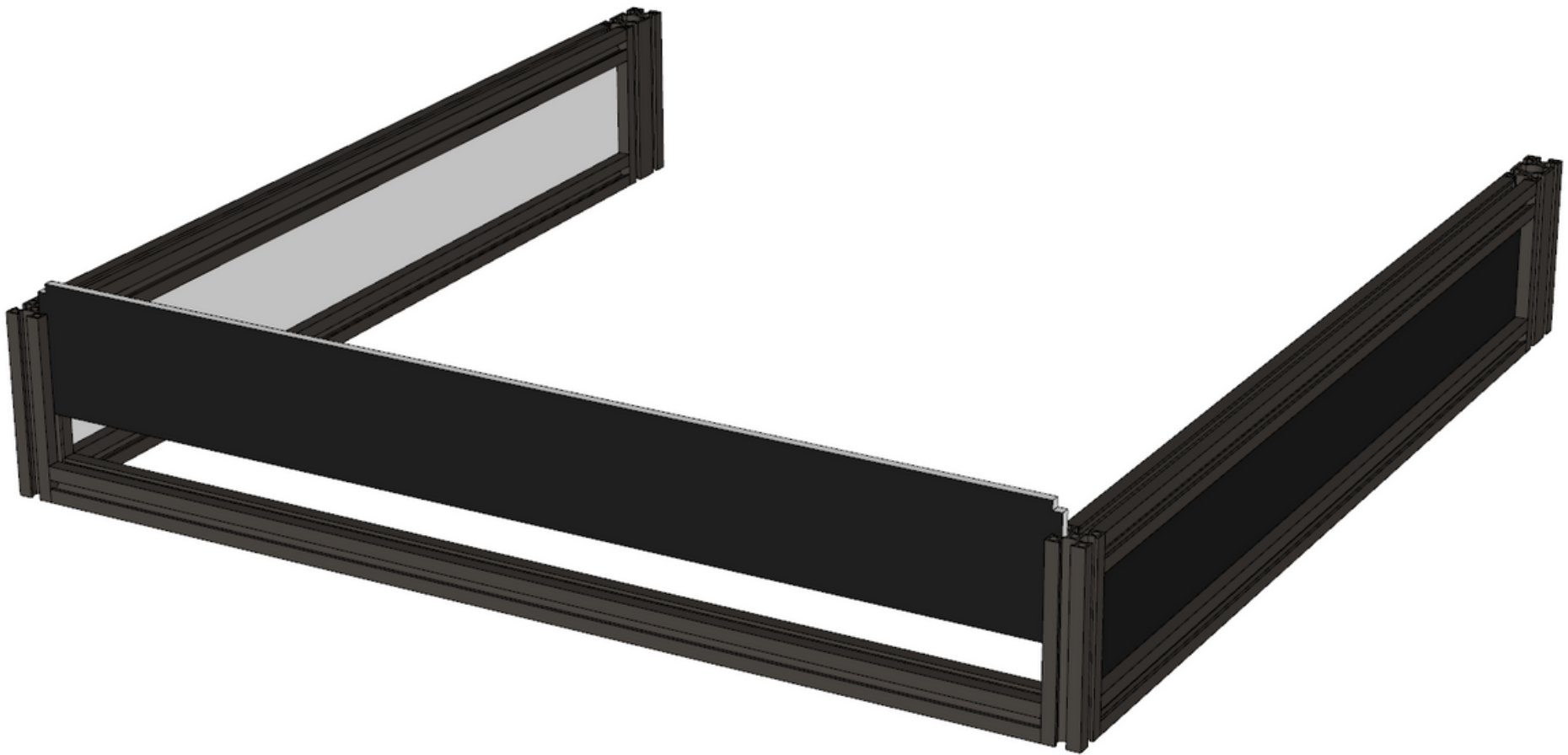


Pack no 2



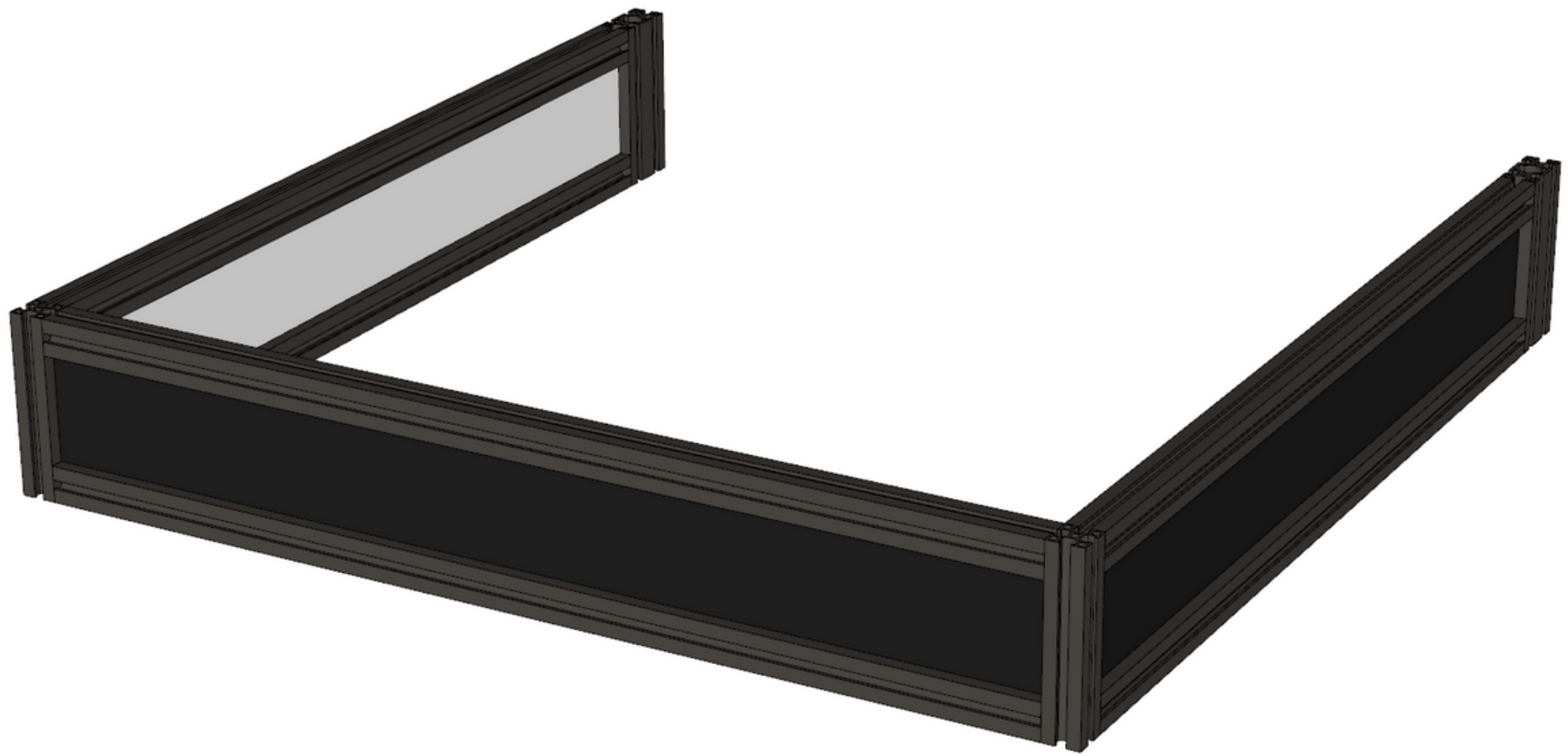
**MODU
SPACE**

6. Assembly the Front frame



Pack no 5

7. Assembly the Front frame

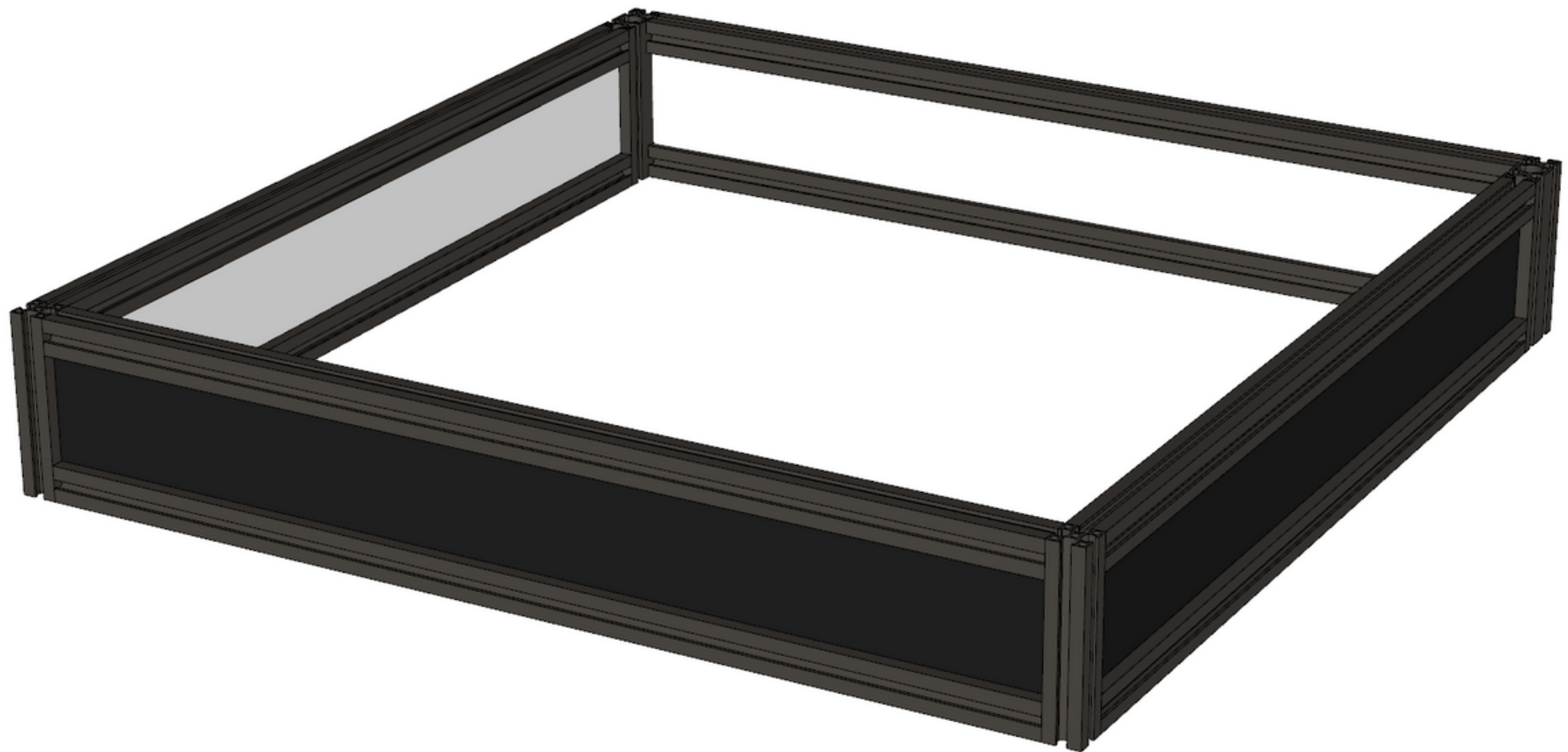


Pack no 2



**MODU
SPACE**

8. Assembly the back frame

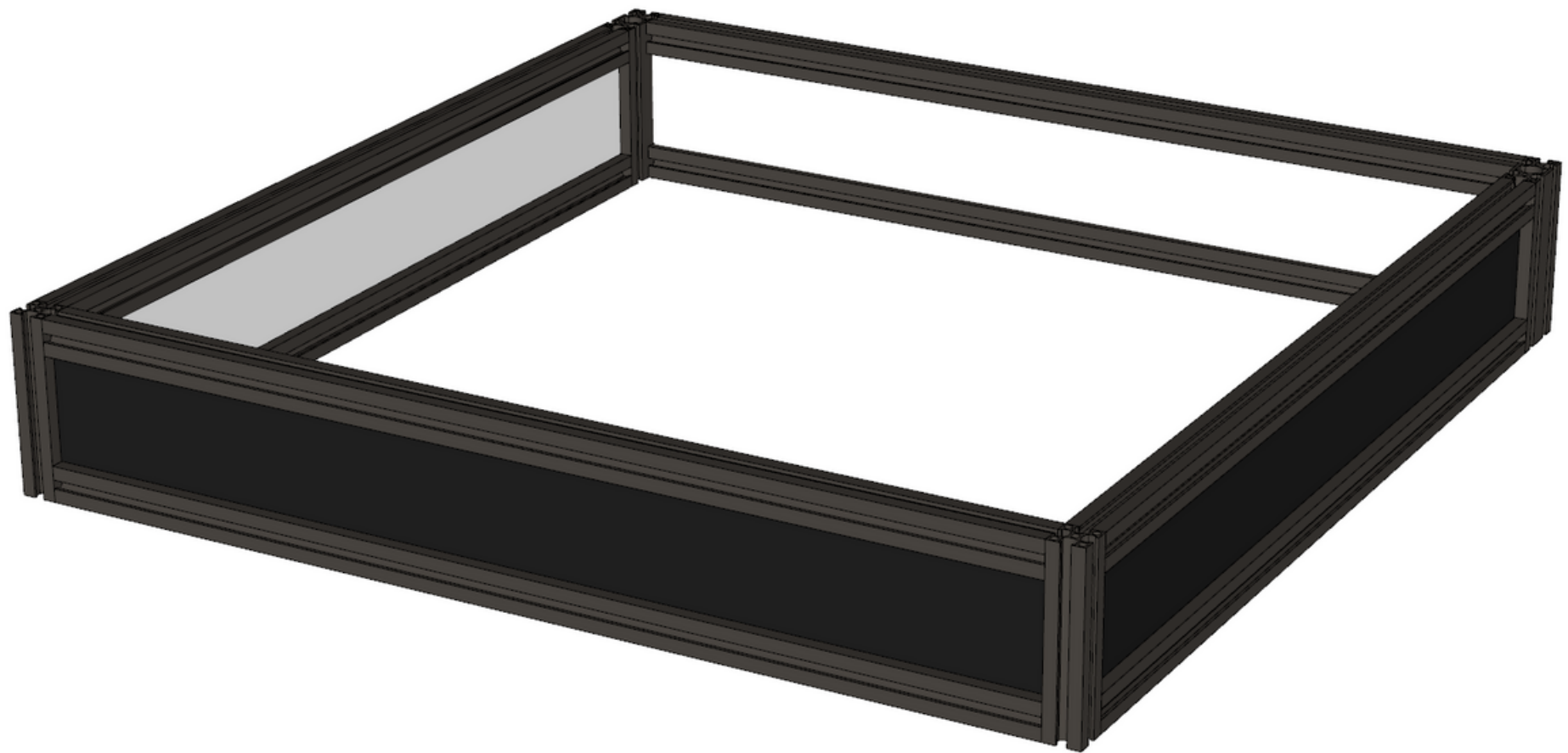


Pack no 2 and 5



**MODU
SPACE**

Assembly is completed



**MODU
SPACE**