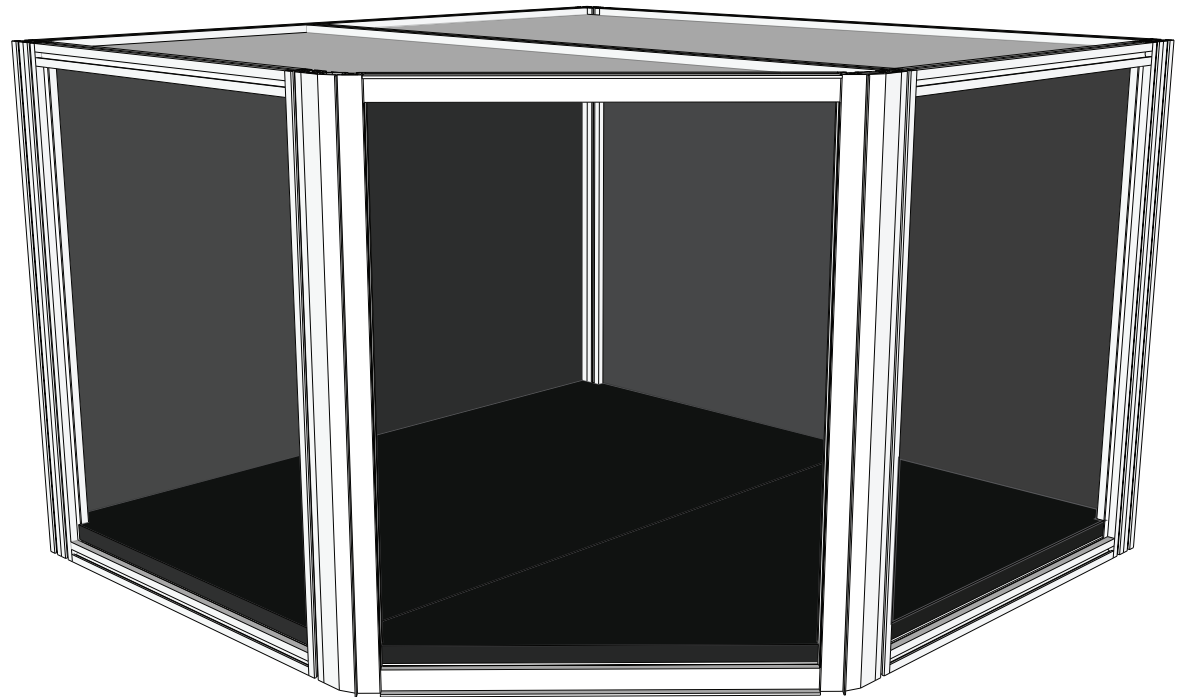


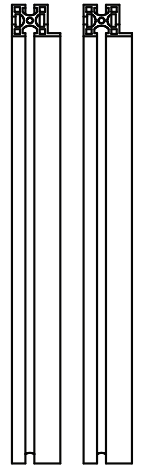
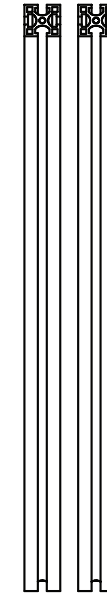
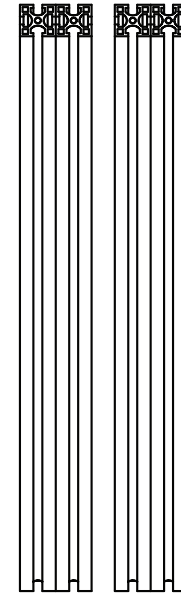
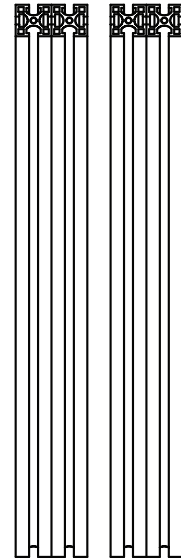
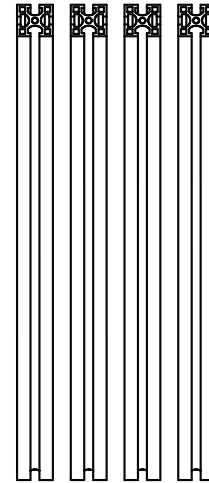
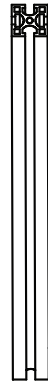
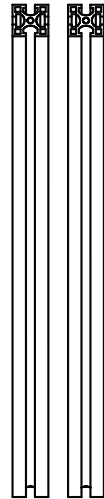
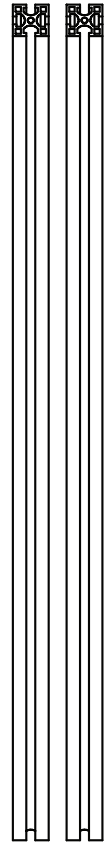
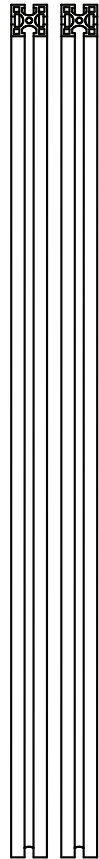
## **DF60 45° Corner Assembly**

---

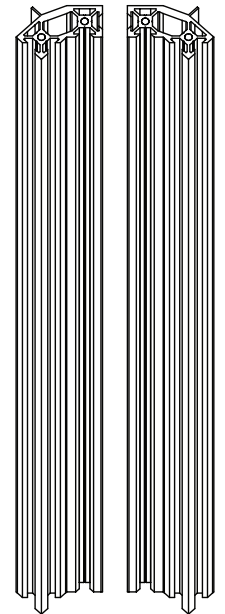
Version 3.0



- Back Frame Left Horizontal Bar x 2
- Middle Horizontal Bar x 2
- Back Frame Right Horizontal Bar x 2
- Back Enhancement Bar x 2
- Front Enhancement Bar x 1
- Side Frame Horizontal Bar x 4
- Back Frame Middle Vertical Bar x 2
- Side Frame Back Vertical Bar x 2
- Back Frame Vertical Bar x 1
- Side Frame Front Vertical Bar x 2
- Front Frame Horizontal Bar x 2



Front Frame Vertical Bar x 2



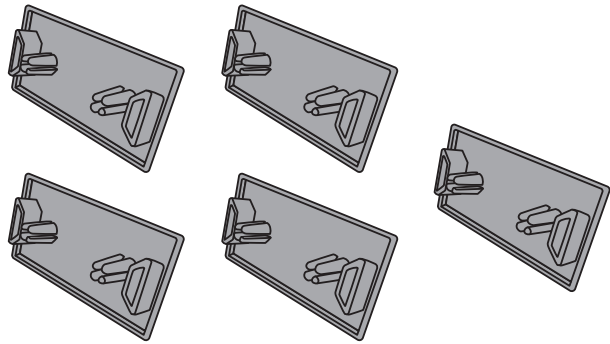
Vertical C Channel x 4



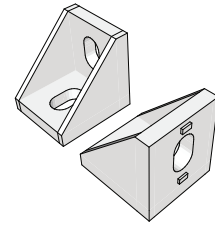
Conduit x 1



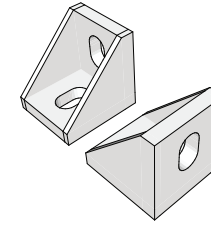
Horizontal C Channel x 4



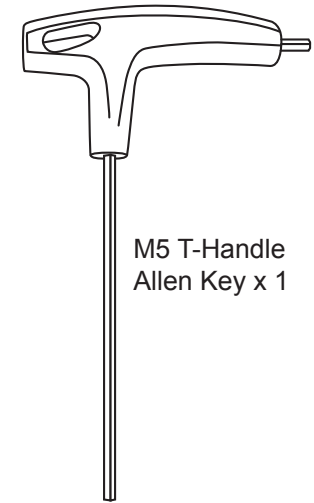
Back Frame Foot Pad x 5



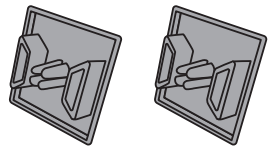
Extrusion  
Angle Brackets x 6



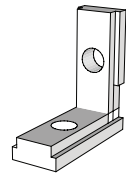
Angle Brackets  
x 4



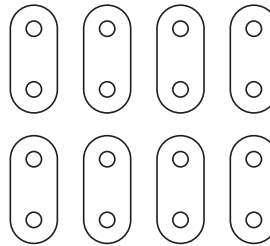
M5 T-Handle  
Allen Key x 1



Front Frame Foot Pad x 2



Angle Inner  
Bracket x 4



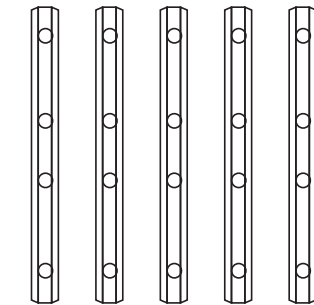
Horizontal Bracket x 8



M5 Allen Key x 1



M4 Allen Key x 1



Stacking Bracket x 5



M5-Long  
Screw x30



M5 Washer  
x 30



M5-Short  
Screw x 36



M4 Stacking  
Screw x 28

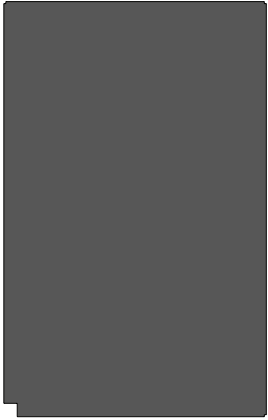


M5 Nuts  
x 30

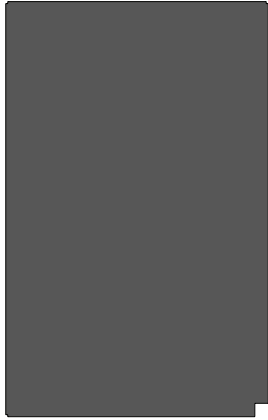


Front Panel  
Safety Screw x 1

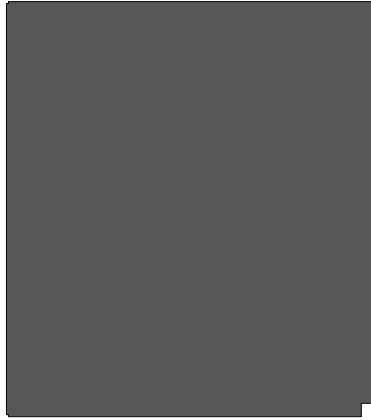
Left Small Back Panel



Right Small Back Panel



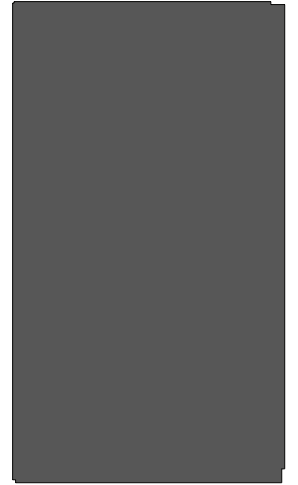
Left Large Back Panel



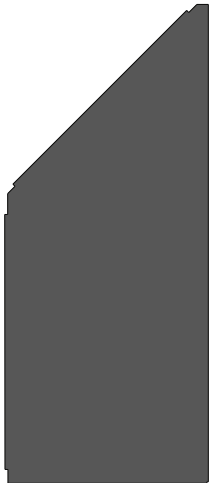
Right Large Back Panel



Large Top Panel



Small Top Panel



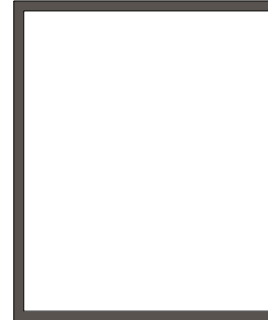
Small Base



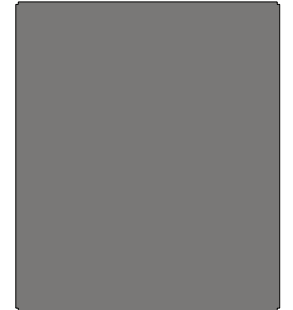
Large Base



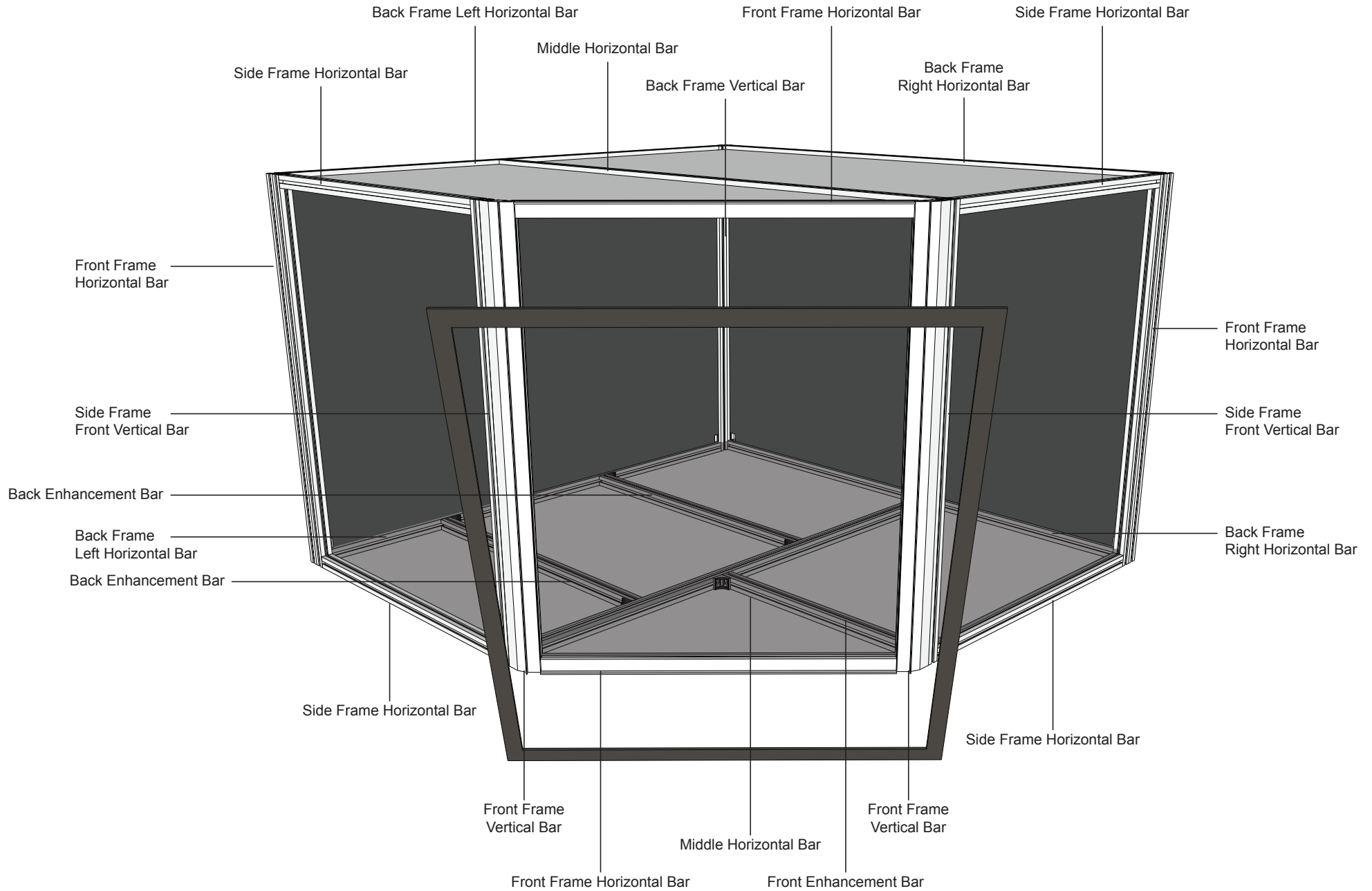
Front Panel



Side Panel





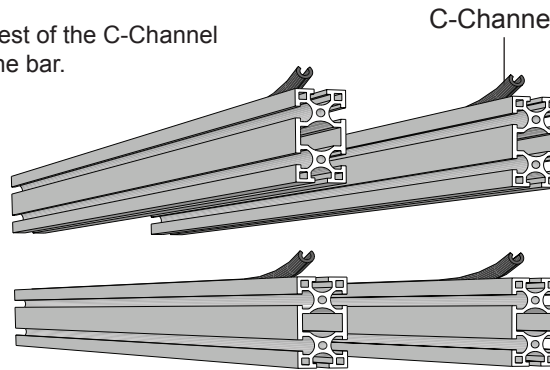


**You will need**

- Side Frame Back Vertical Bar x 2
- Side Frame Front Vertical Bar x 2
- Side Frame Horizontal Bar x 4
- Horizontal C-Channel x 4
- Vertical C-Channel x 4

**Side Frame Horizontal Bar**

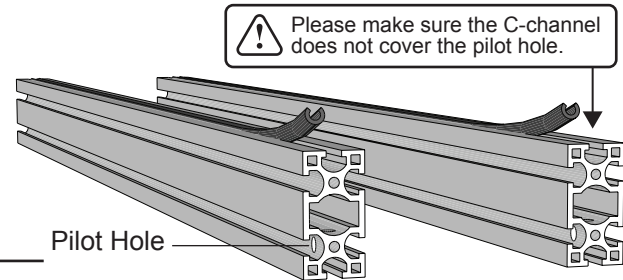
Position the bar on any side. Install a Horizontal C-Channel into the top slit of the bar. Repeat for all bars.



**Side Frame Back Vertical Bar**

Position the bar with the pilot holes facing the flat surface. Install a Vertical C-Channel into the top slit of the bar. Repeat for all bars.

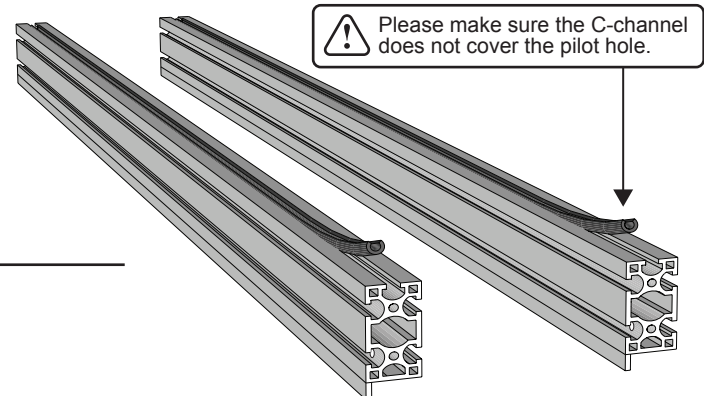
⚠ If you are joining the display cases horizontally, do not insert the C-Channel on the connecting bar.



**Side Frame Front Vertical Bar**

Place a bar with the magnets facing down. Install a Vertical C-Channel into the top slit. Repeat for all bars.

⚠ If you are joining the display cases horizontally, do not insert the C-Channel on the connecting bar.



**You will need**

- M5-Long Screw x 44
- M5-Washer x 44
- Back Frame Right Horizontal Bar x 2
- Back Frame Left Horizontal Bar x 2
- Back Frame Middle Vertical Bar x 2
- Middle Horizontal Bar x 2
- Side Frame Back Vertical Bar x 2
- Side Frame Front Vertical Bar x 2
- Side Frame Horizontal Bar x 4

**Steps to insert M5-Long Screw**

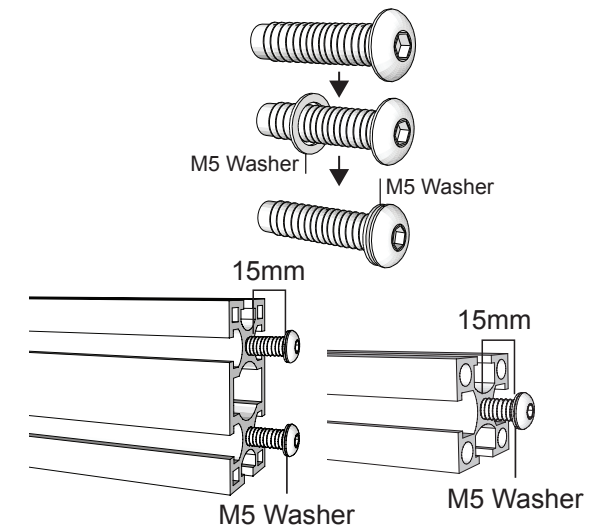
**Step 1.** Insert the M5-Long Screw fully into the M5-Washer.

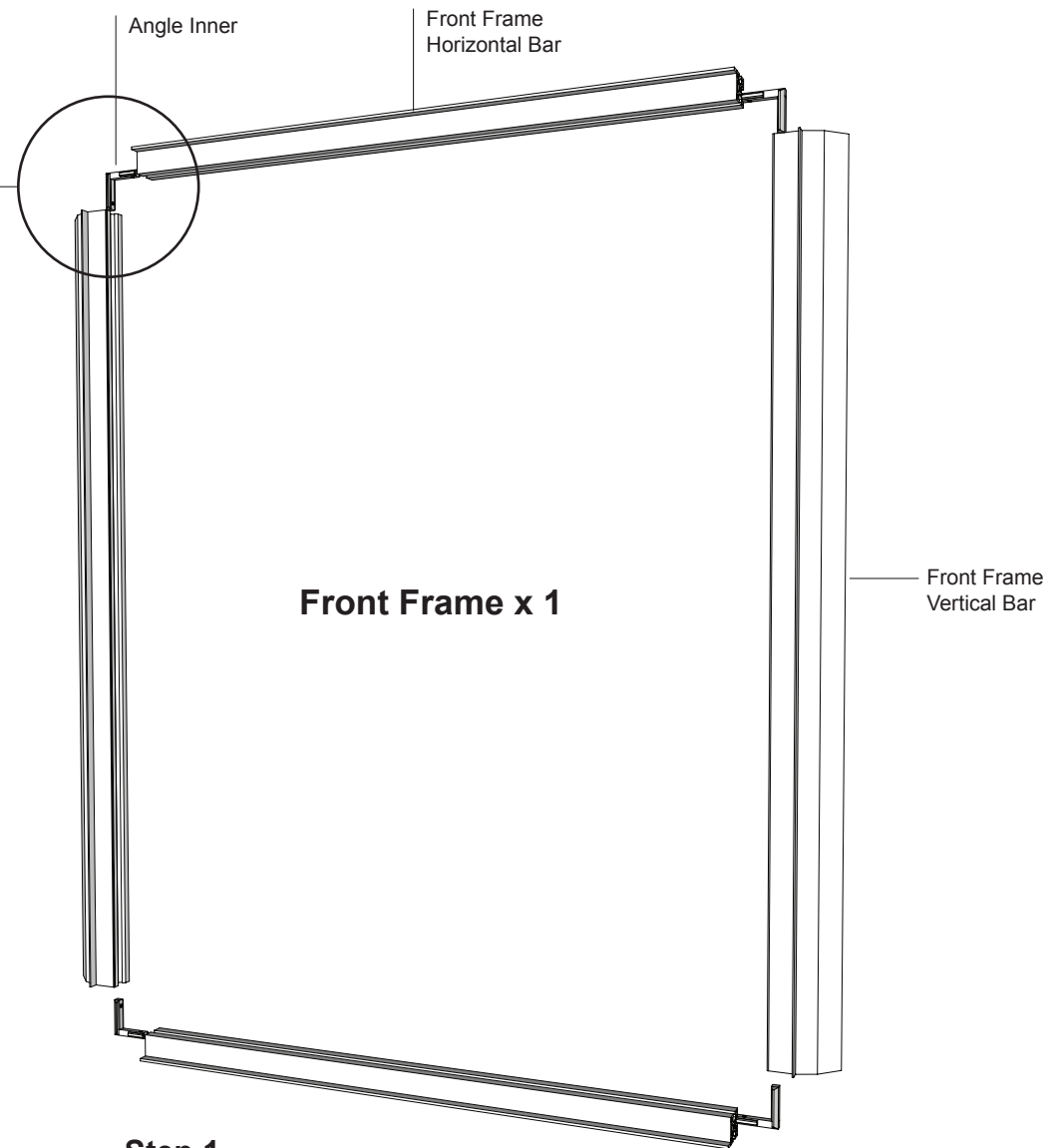
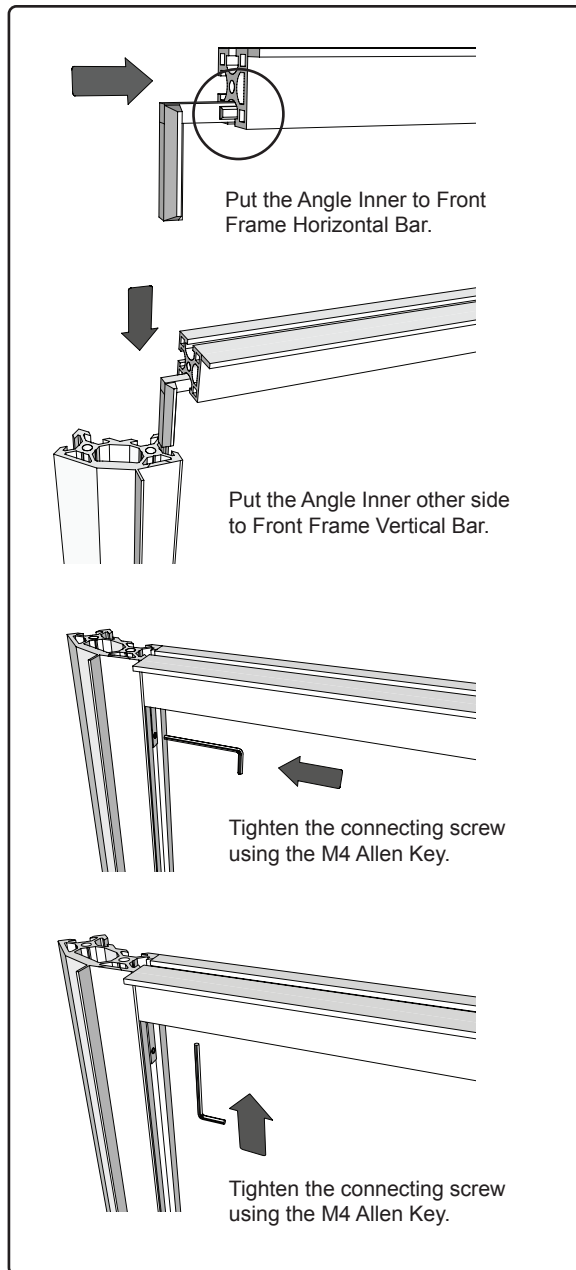
**Step 2.** Position the screw with washer into the pilot hole on the left side of the bar. Turn clockwise to tighten the screw. Leave a 15mm gap between the washer and bar.

**Step 3.** Repeat steps 1-2 for the other side of the bar.

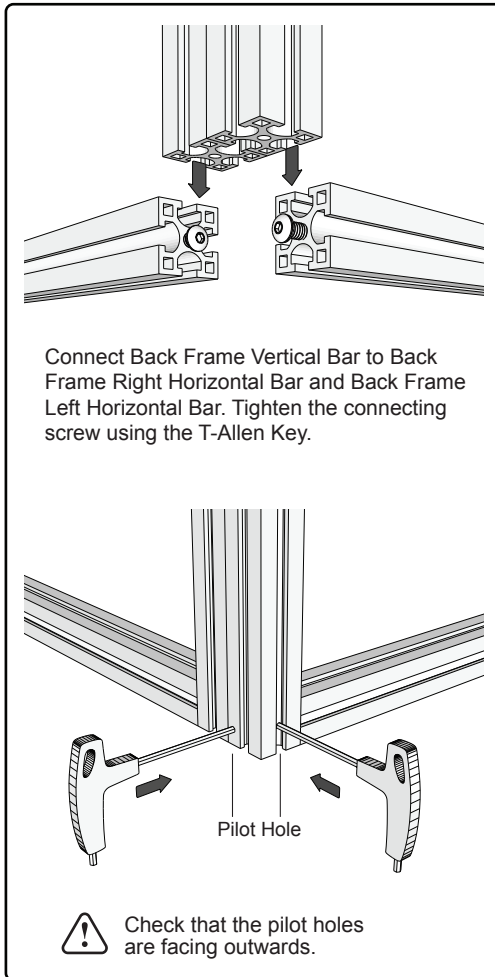
**Step 4.** Repeat steps 1-3 for

- Back Frame Right Horizontal Bar x 2
- Back Frame Left Horizontal Bar x 2
- Back Frame Middle Vertical Bar x 2
- Middle Horizontal Bar x 2
- Side Frame Back Vertical Bar x 2
- Side Frame Front Vertical Bar x 2
- Side Frame Horizontal Bar x 4





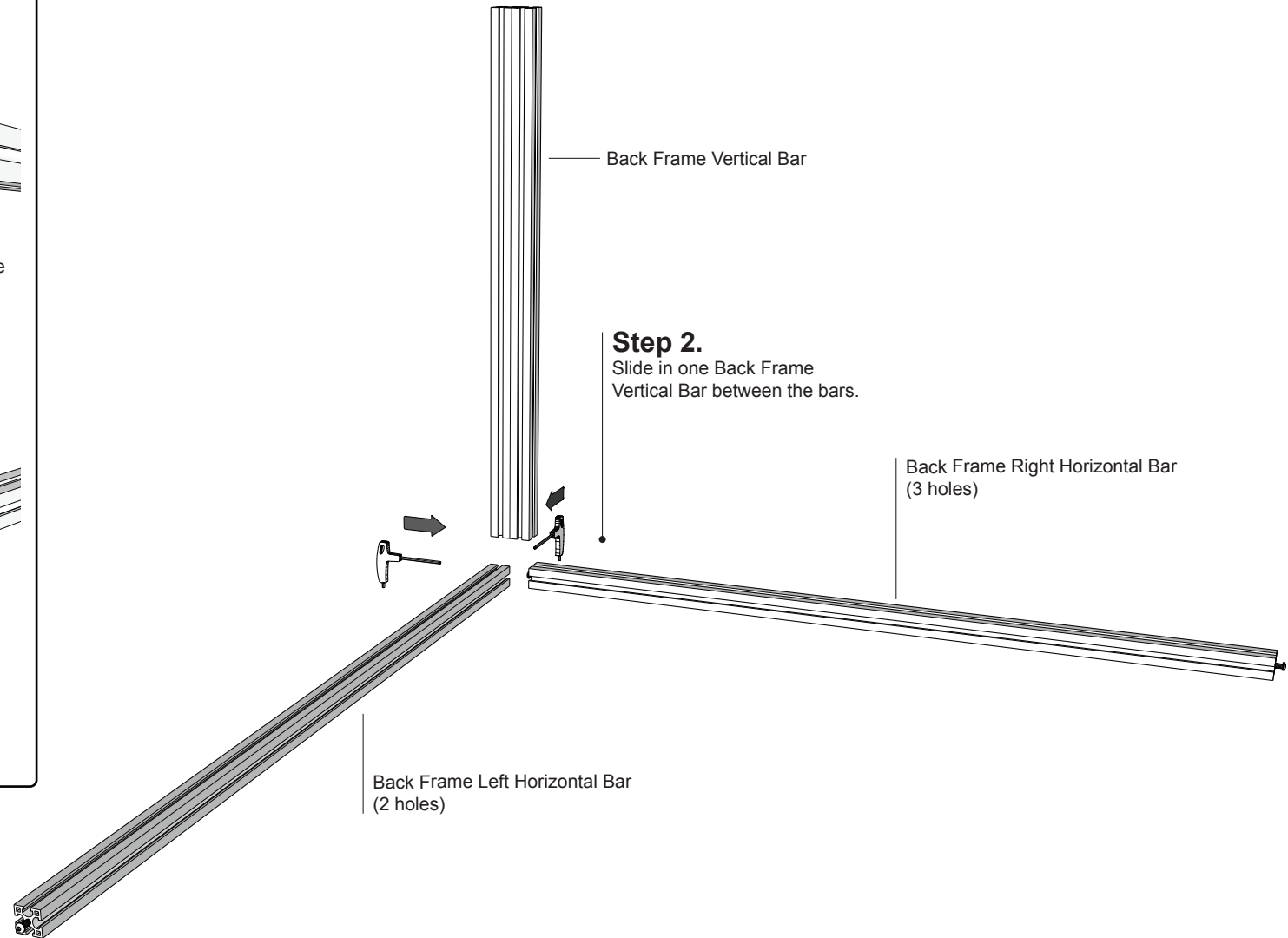
**Step 1.**  
Connect Front Frame Horizontal Bar to Front Frame Vertical Bar. Tighten the connecting screw using the M4 Allen Key.



Connect Back Frame Vertical Bar to Back Frame Right Horizontal Bar and Back Frame Left Horizontal Bar. Tighten the connecting screw using the T-Allen Key.

Pilot Hole

⚠ Check that the pilot holes are facing outwards.

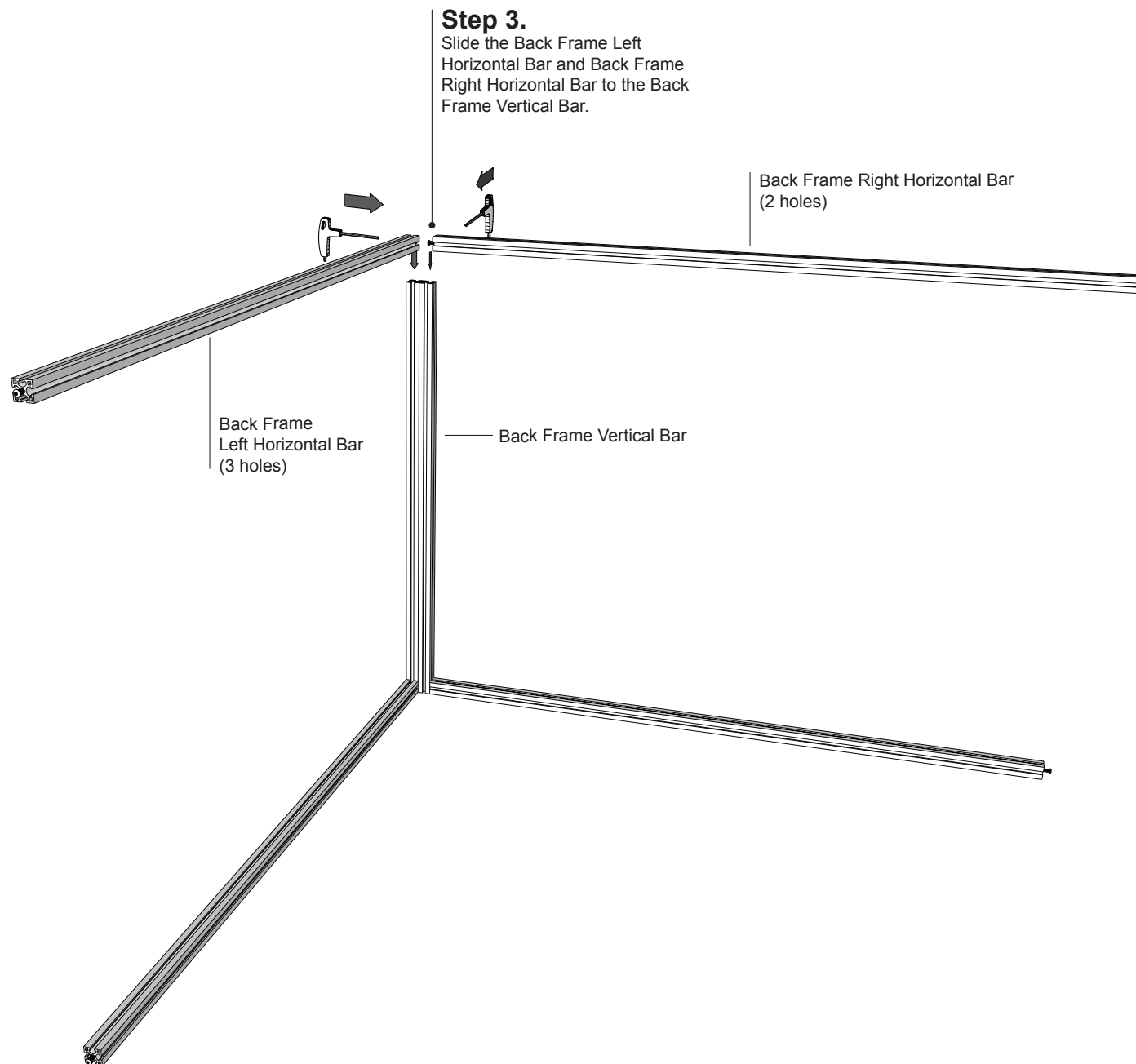
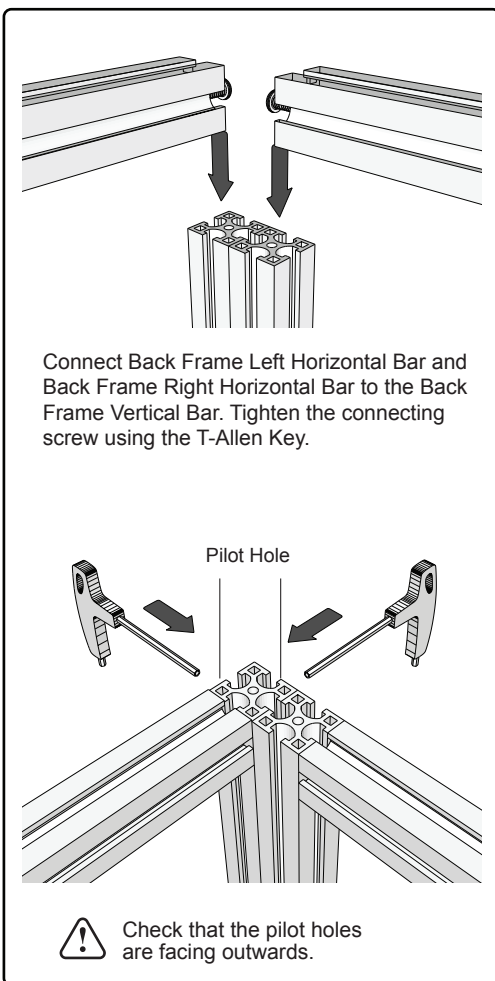


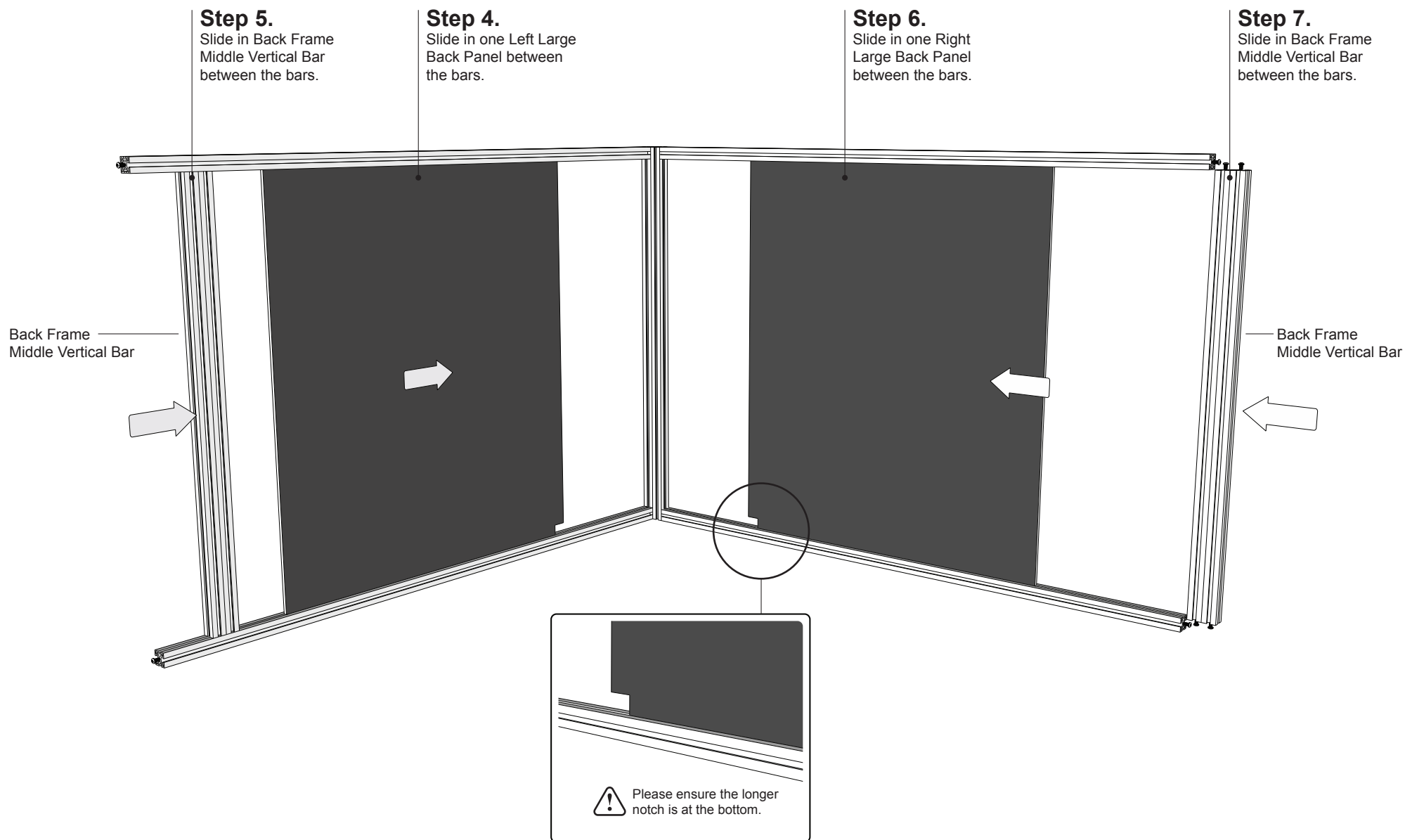
Back Frame Vertical Bar

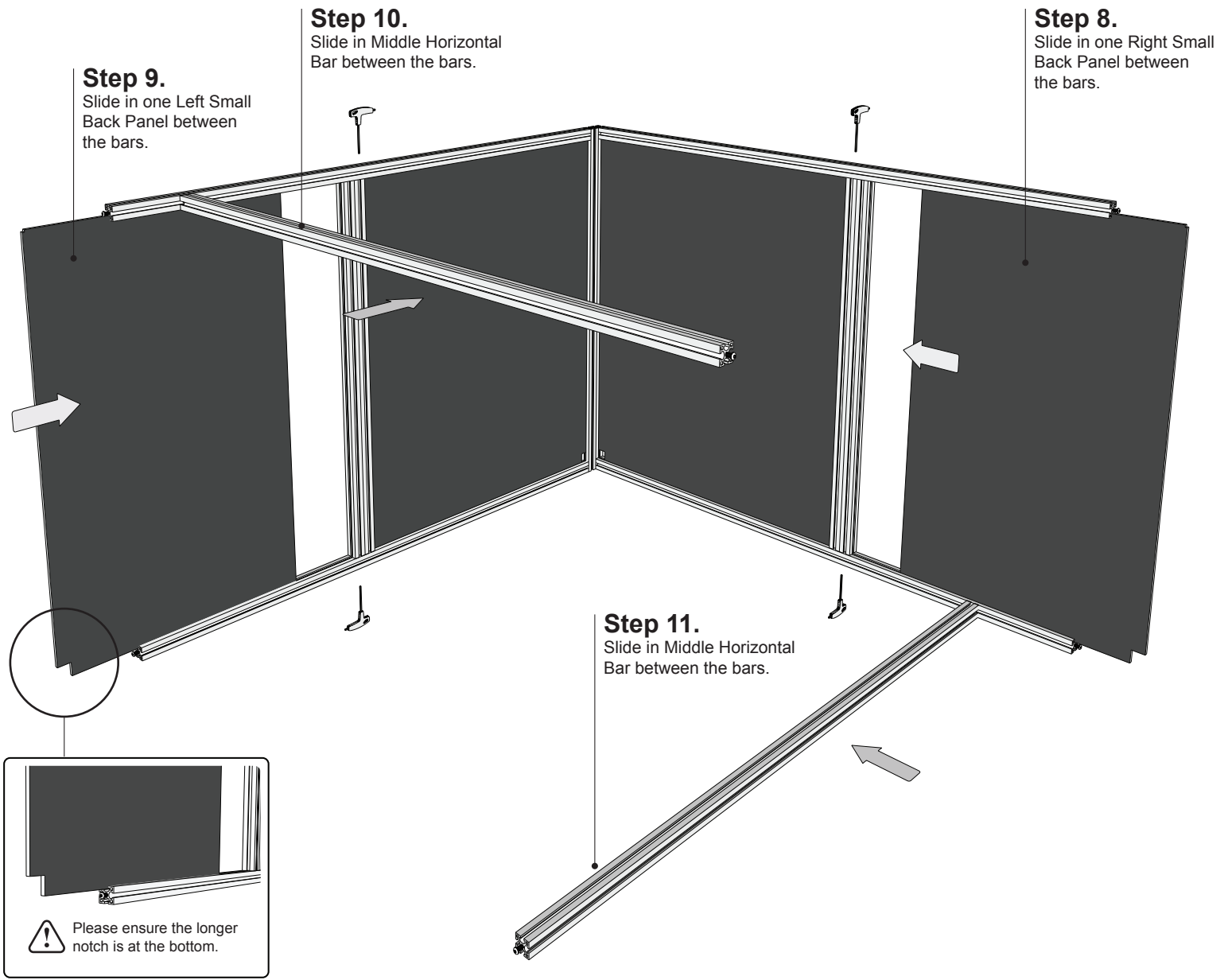
**Step 2.**  
Slide in one Back Frame Vertical Bar between the bars.

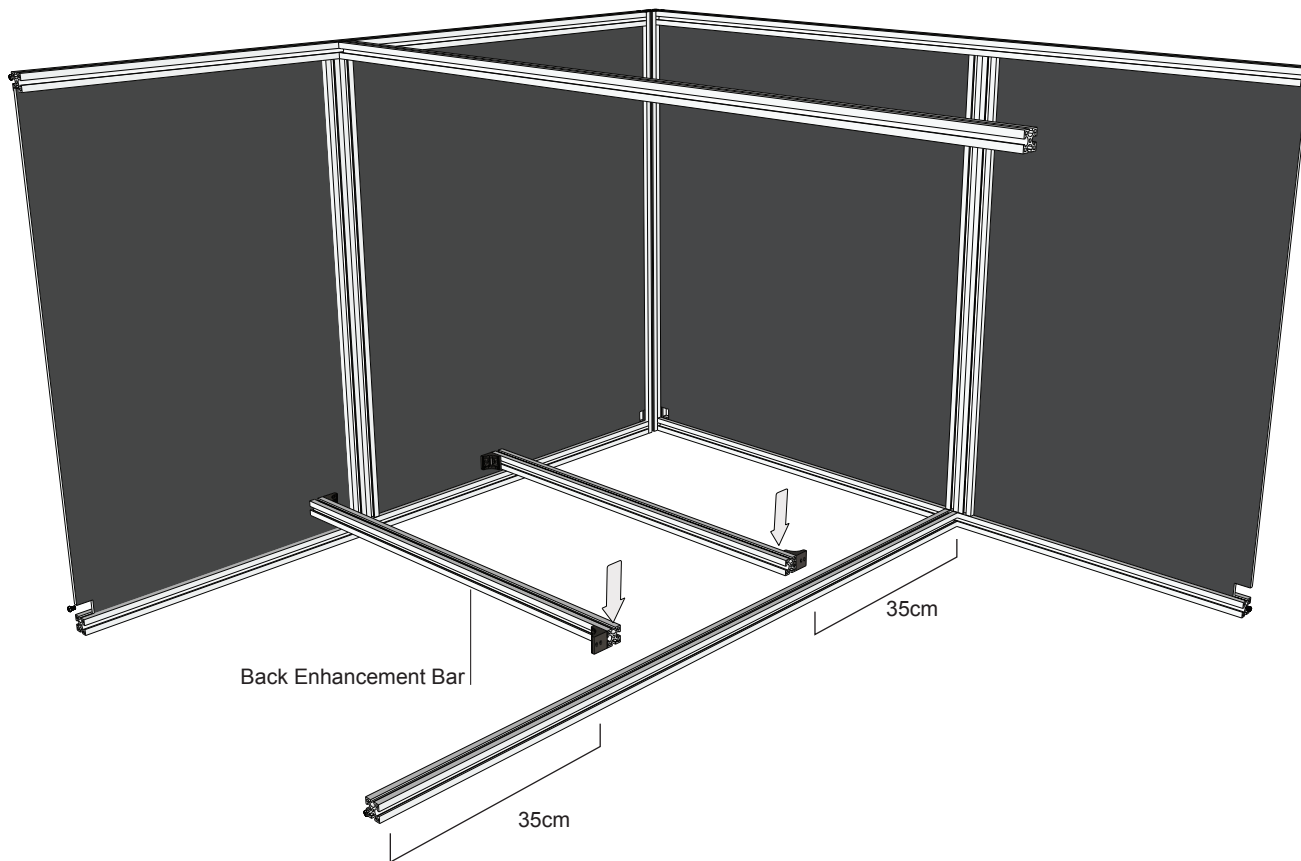
Back Frame Right Horizontal Bar (3 holes)

Back Frame Left Horizontal Bar (2 holes)



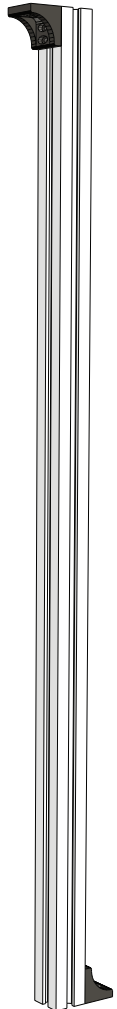
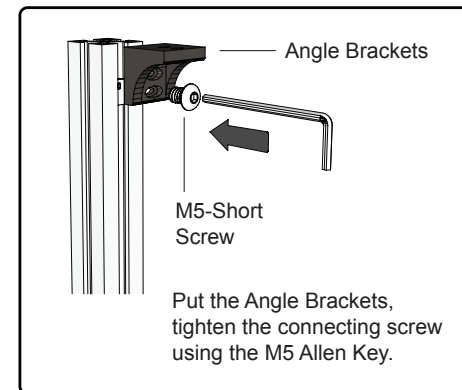
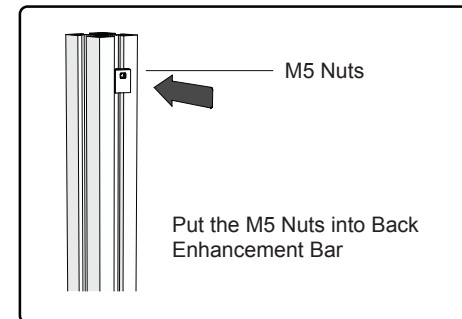






**Step 12.**

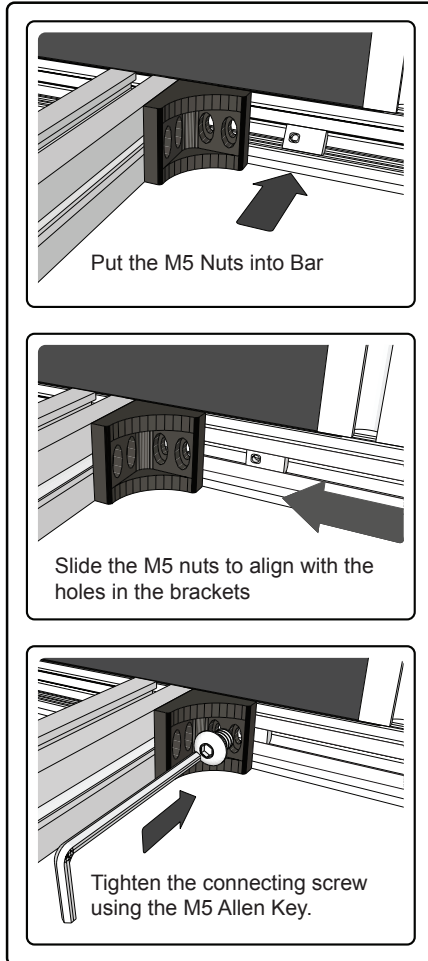
Prepare the Back Enhancement Bar





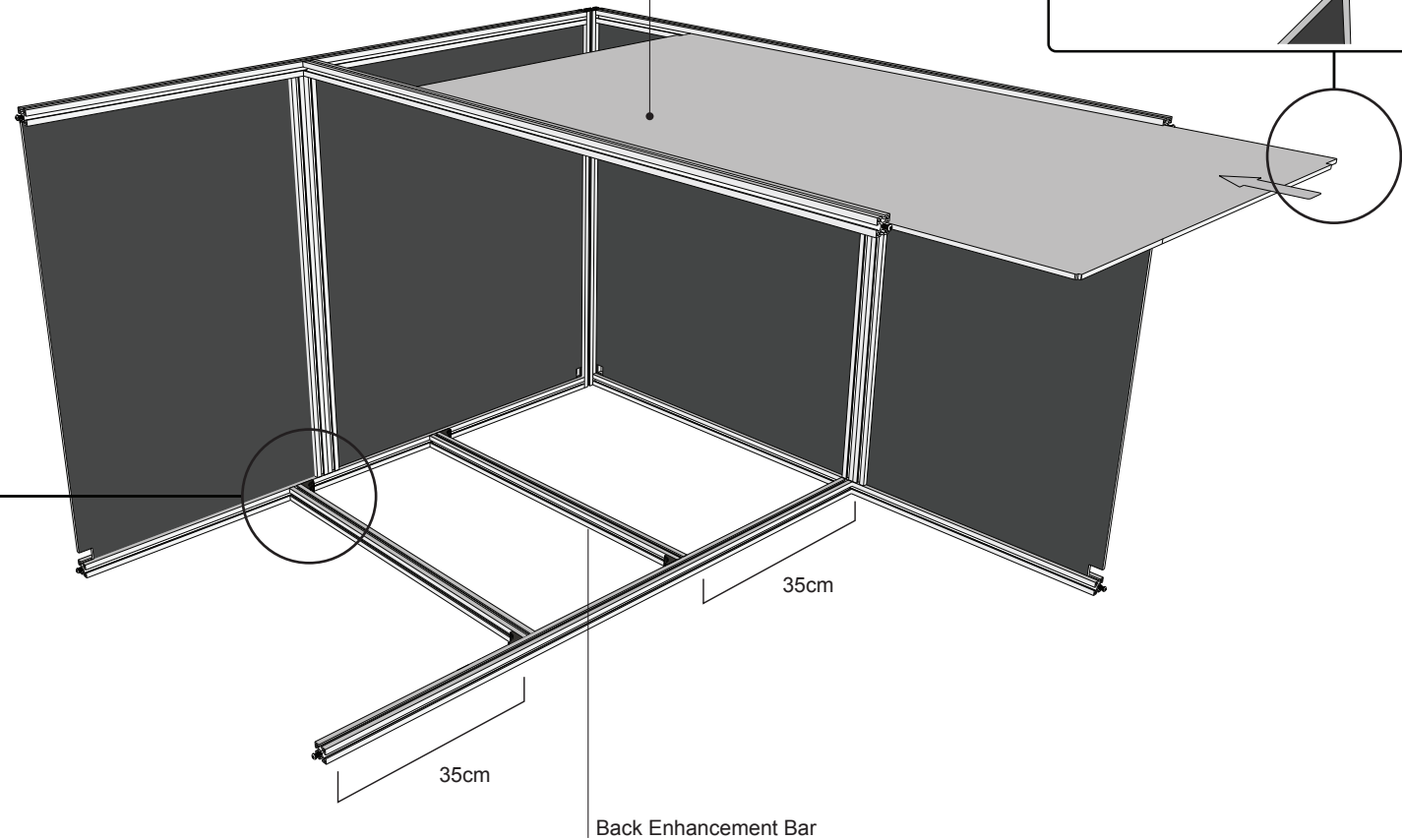
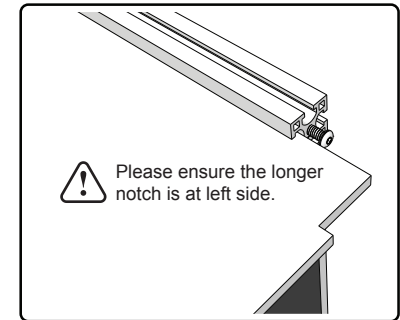
**Step 12.**

Connecting Back Enhancement Bar between the bars.



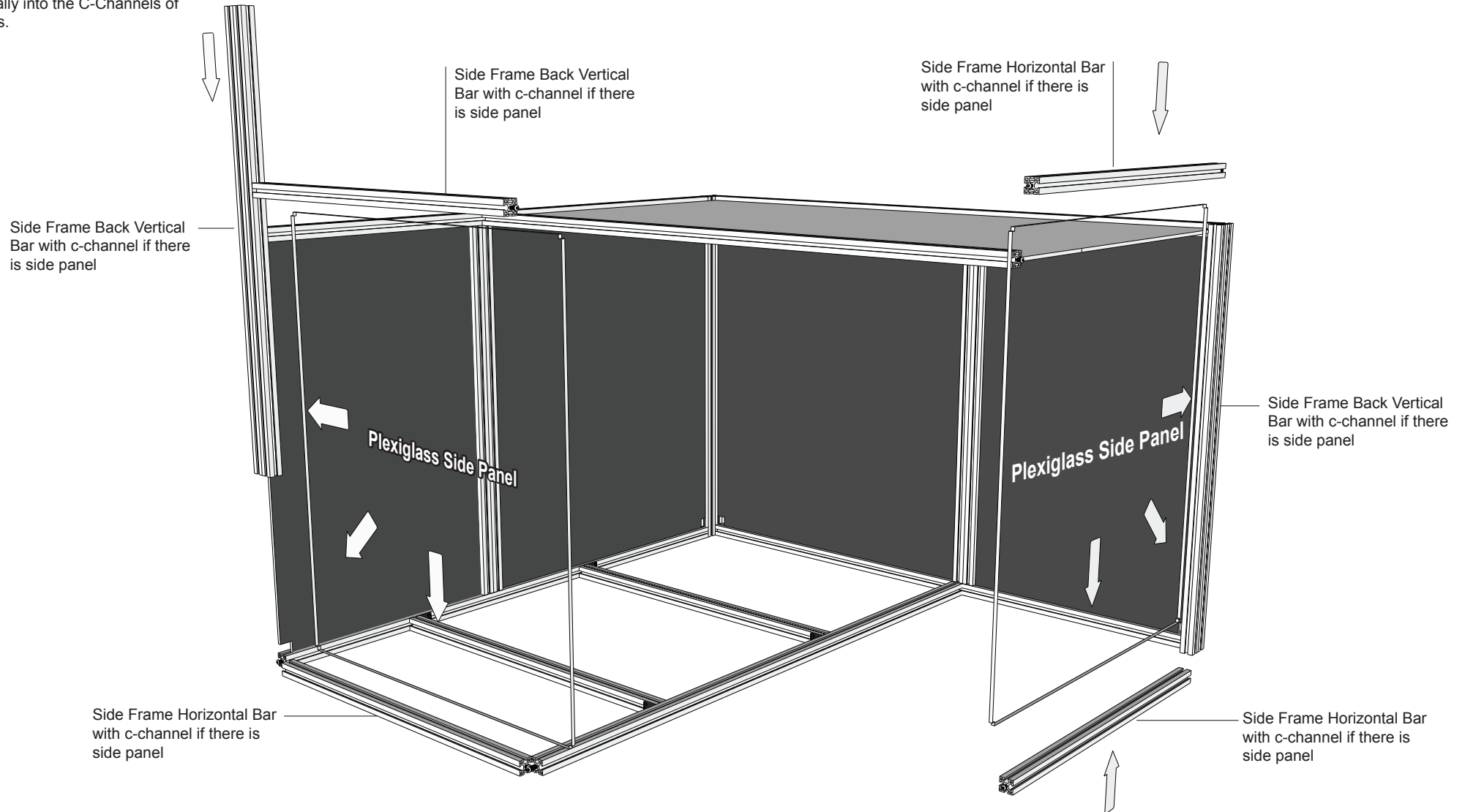
**Step 13.**

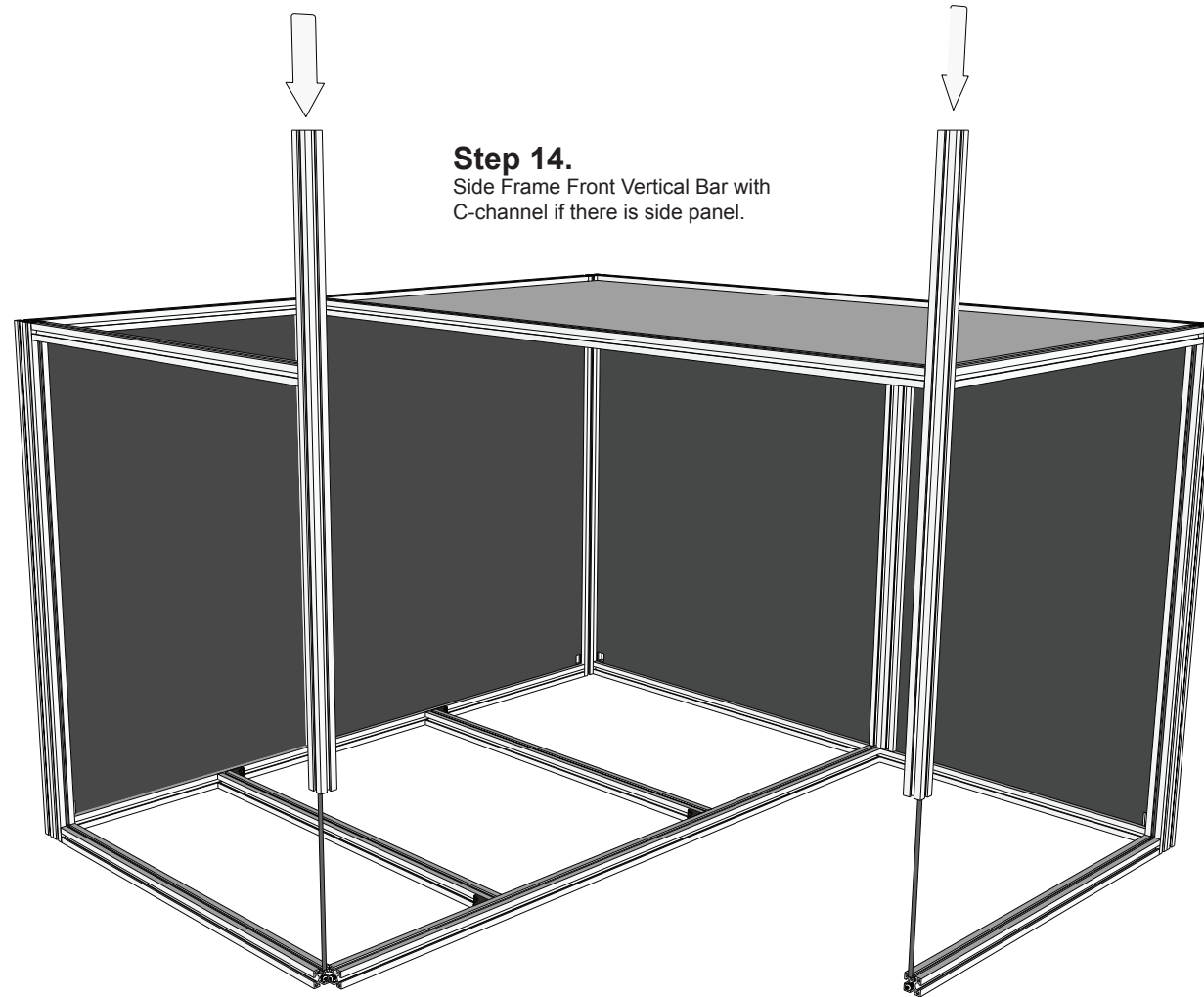
Slide in one Large Top Panel between the bars.



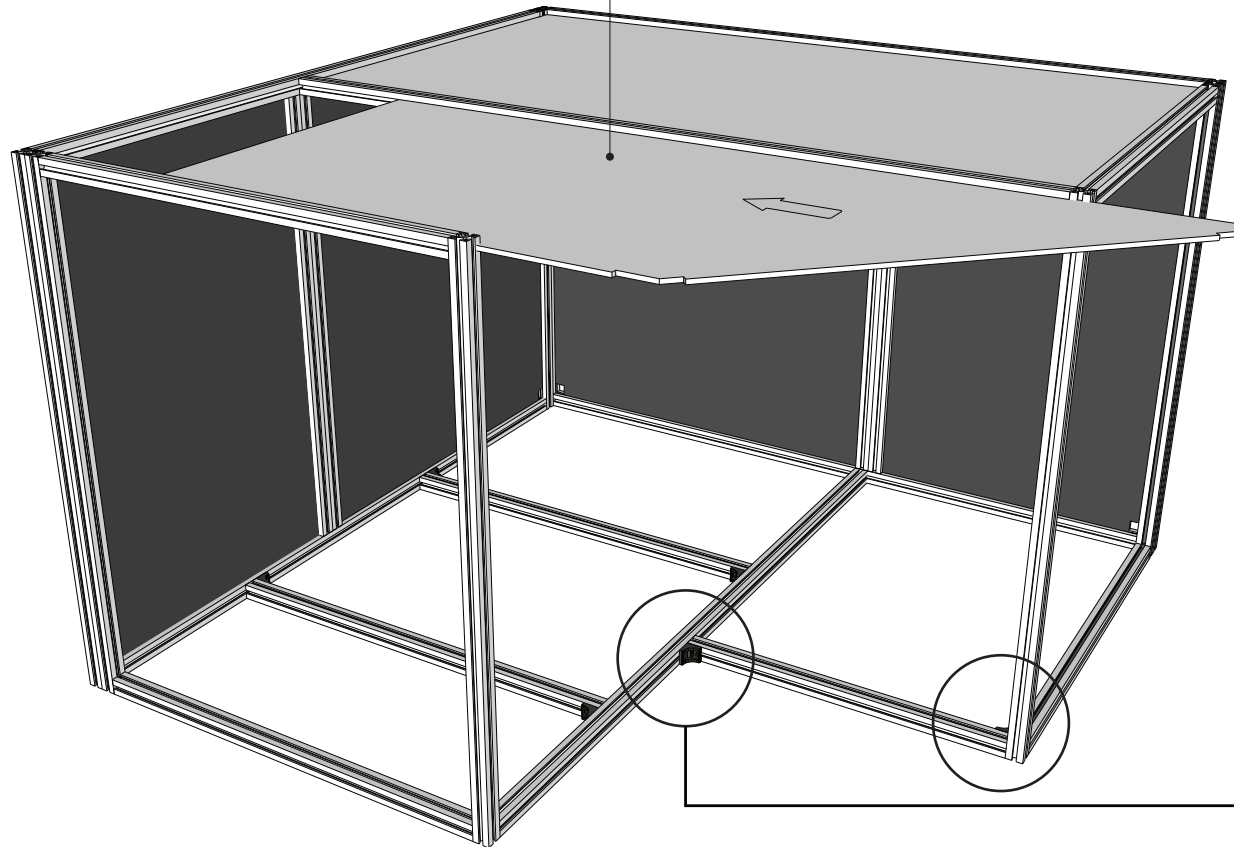
**Step 14.**

Slide in the Plexiglass Side Panel diagonally into the C-Channels of the bars.

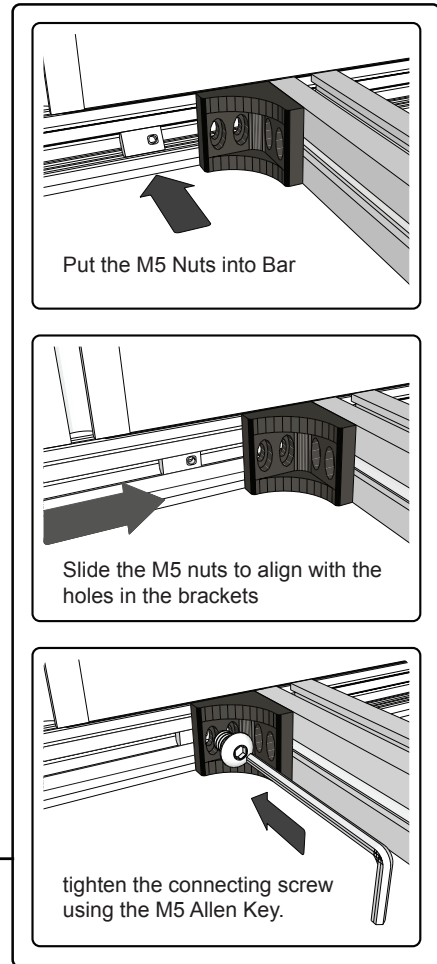


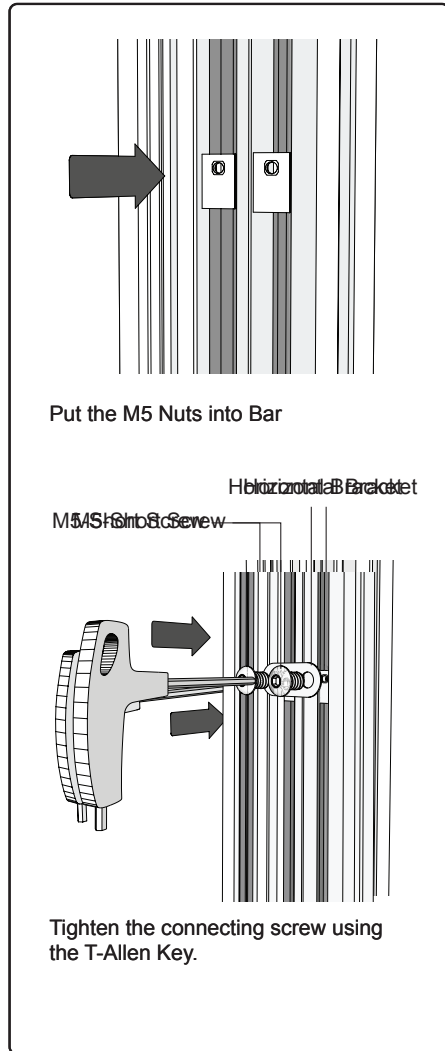


**Step 15.**  
Slide in one Small Top Panel  
between the bars.

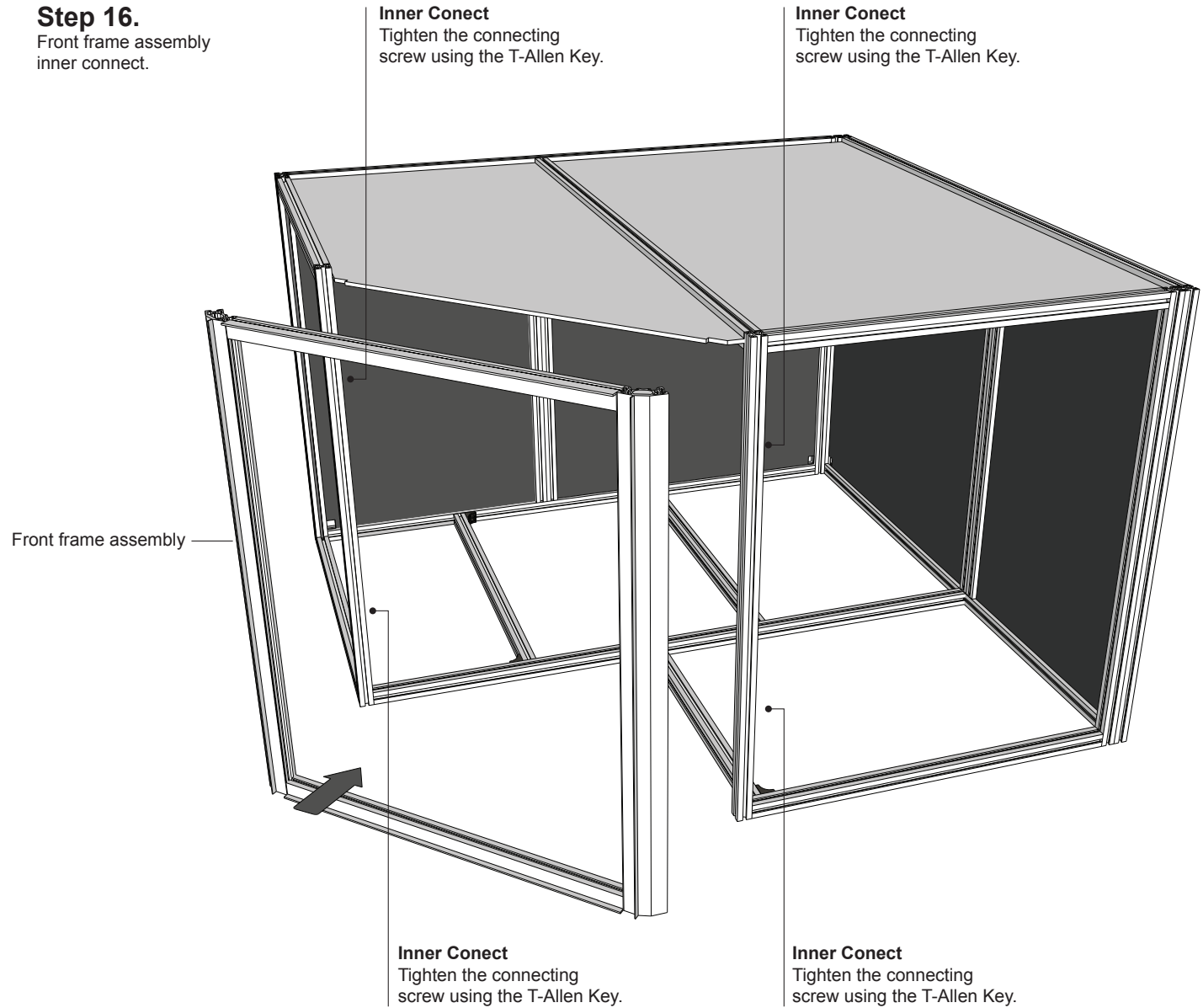


**Step 14.**  
Connecting Back Enhancement Bar  
between the bars.

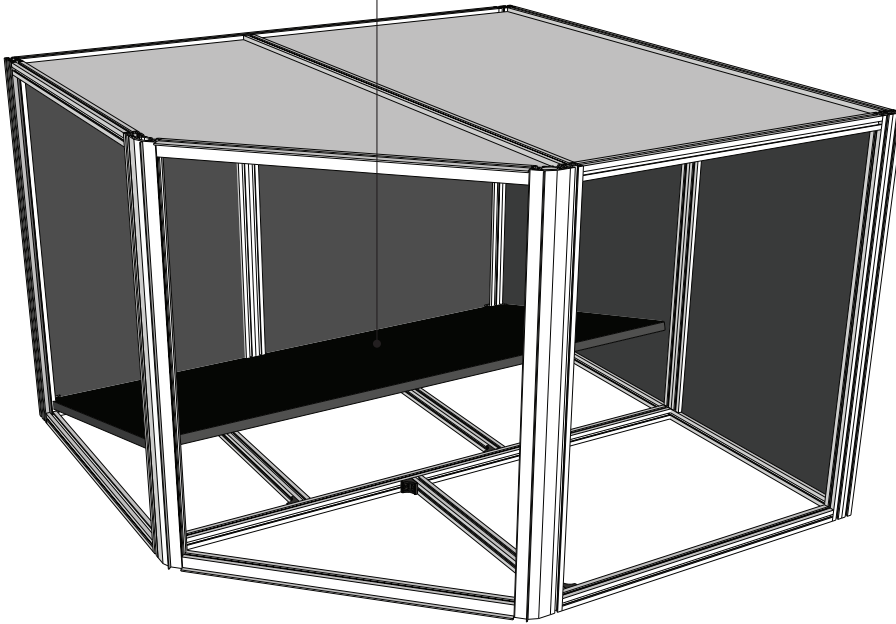




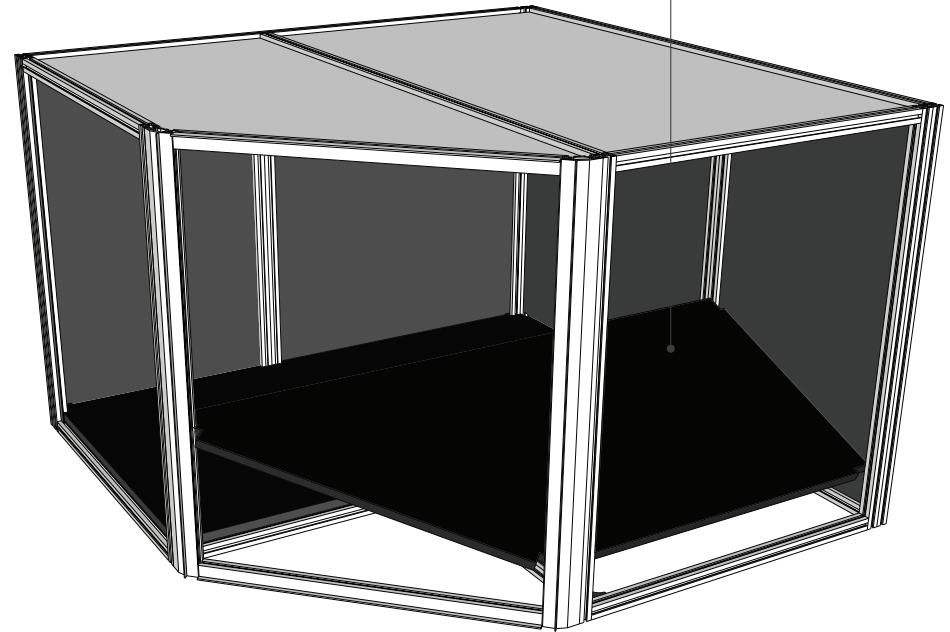
**Step 16.**  
Front frame assembly  
inner connect.

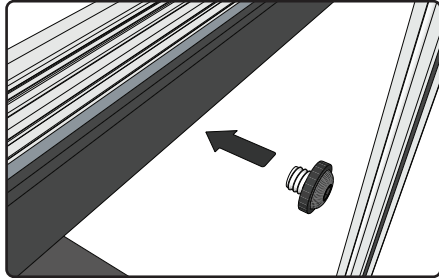


**Step 17.**  
Tilt and insert the  
Large Base.



**Step 18.**  
Tilt and insert the  
Small Base.





**Step 19.**  
Attach the Plexiglass Front Panel  
and insert the Safety Screw.

